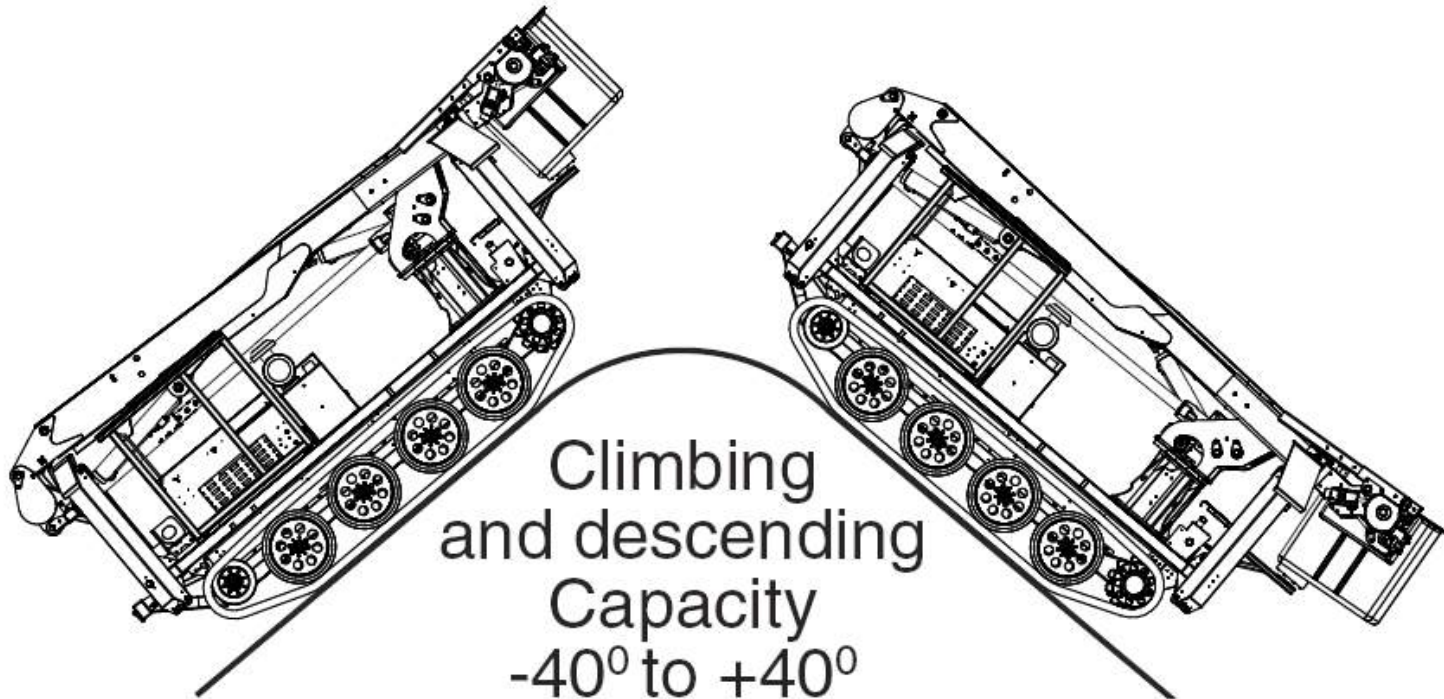
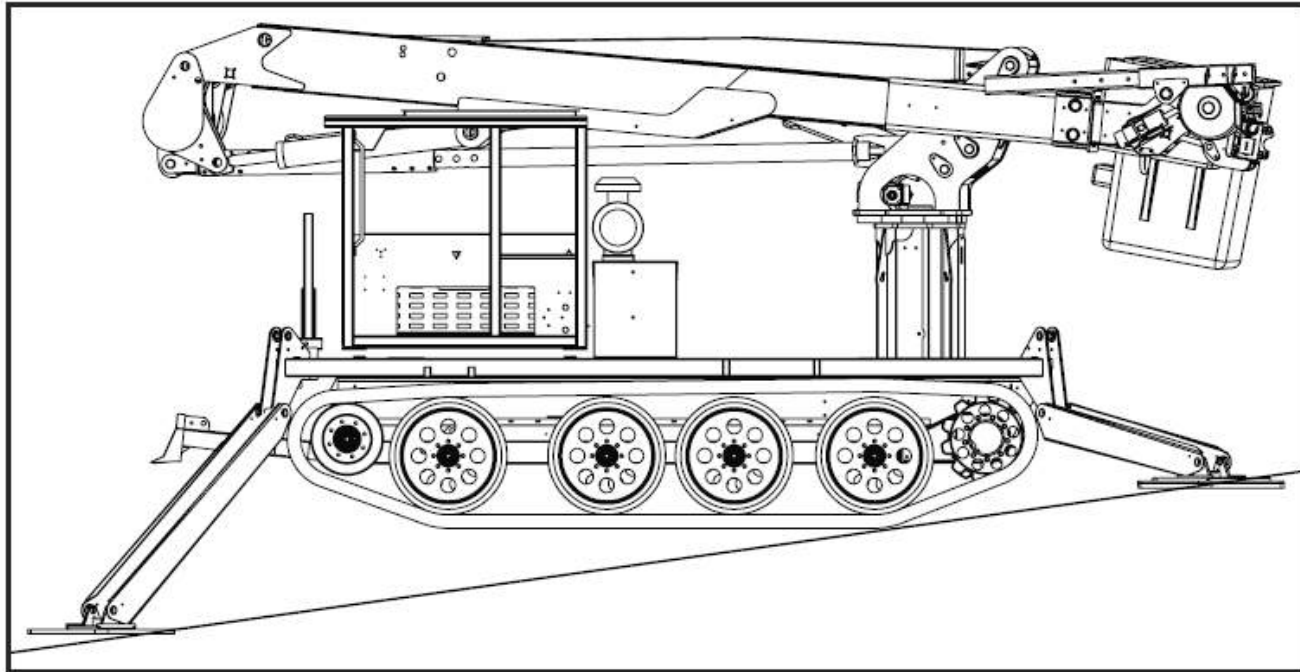


NOTE:  
THE C.G. HAS BEEN MEASURED USING CLOSED CAB  
& DPM2-52DU BOOM.

**ACHIEVER**  
DPM-52 TRACKED AERIAL



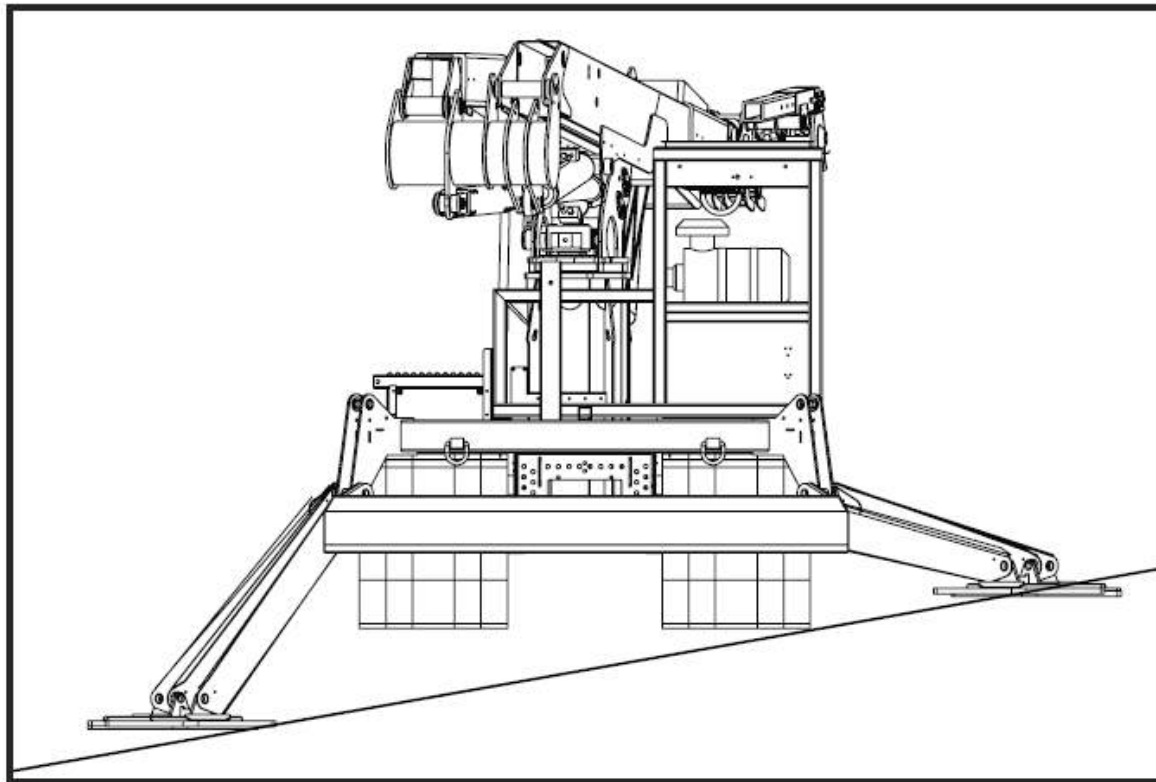
**ACHIEVER**  
DPM-52 TRACKED AERIAL



**YOU CAN LEVEL THE VEHICLE  
ON A  
8° FRONT/REAR SLOPE**



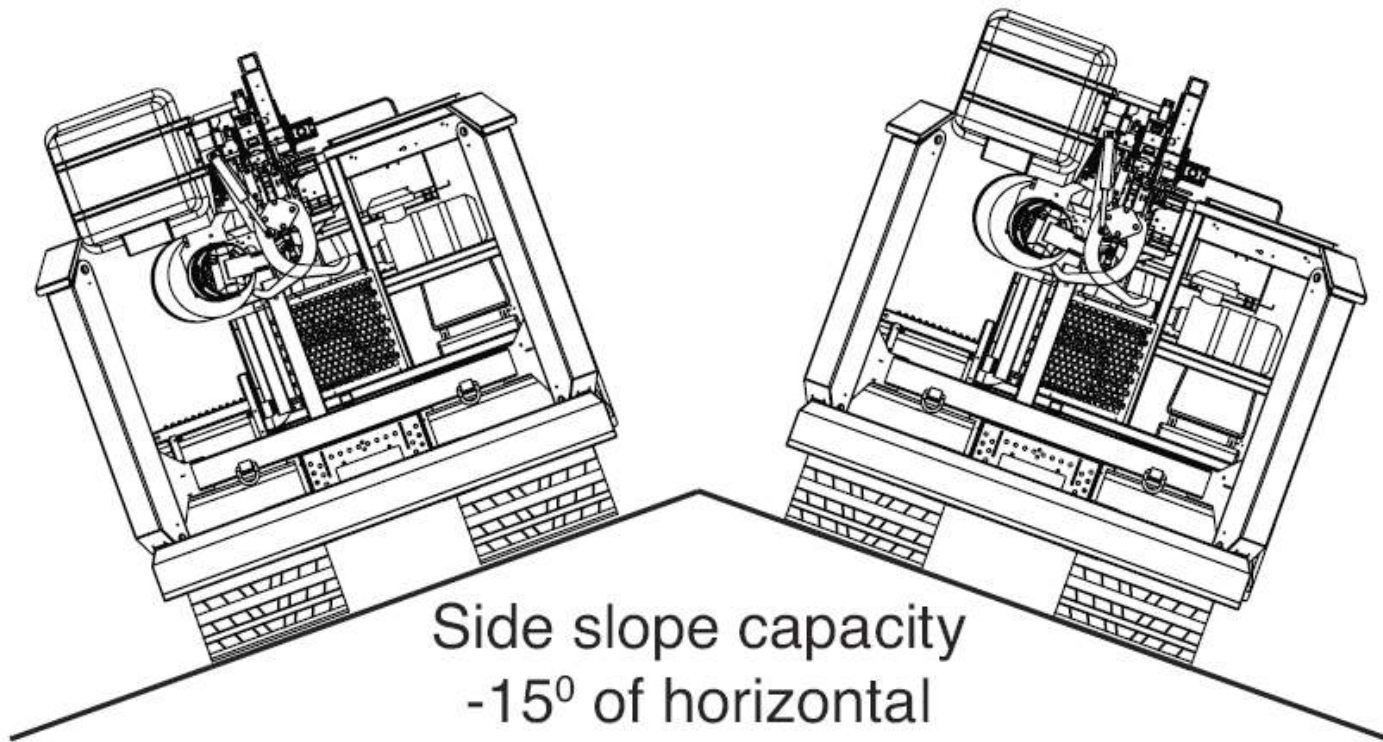
**ACHIEVER**  
DPM-52 TRACKED AERIAL



**YOU CAN LEVEL THE VEHICLE  
ON A 10° SIDE SLOPE**



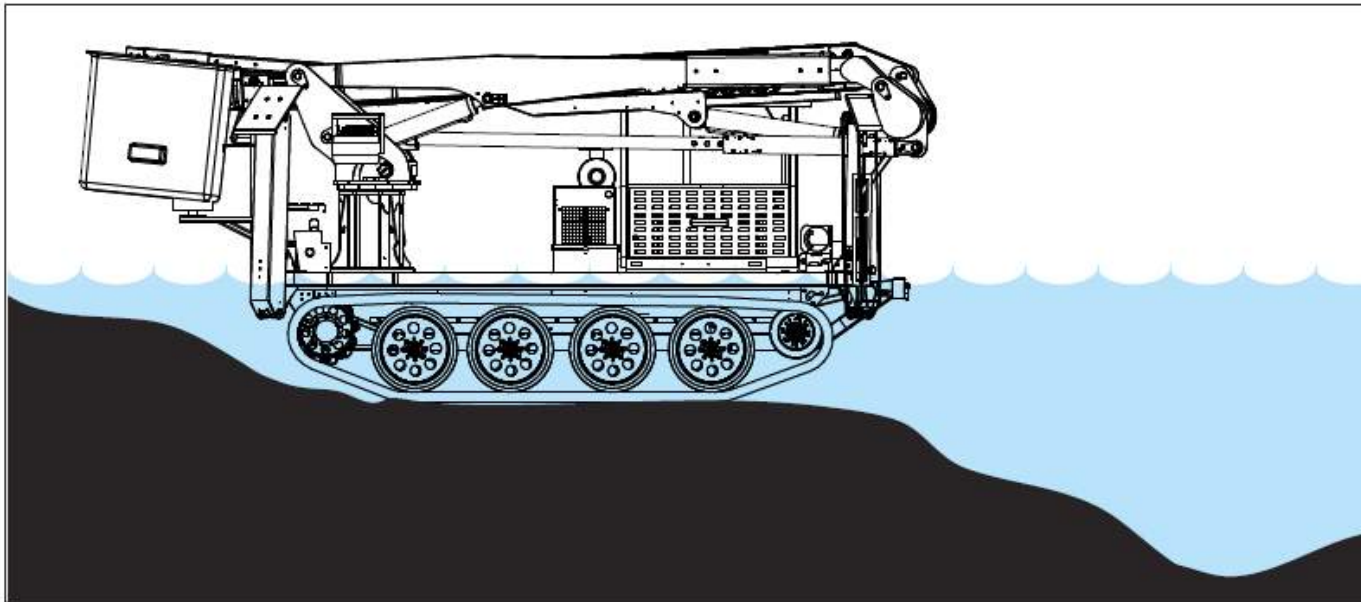
**ACHIEVER**  
DPM-52 TRACKED AERIAL



Side slope capacity  
-15° of horizontal



**ACHIEVER**  
DPM-52 TRACKED AERIAL



**- 36" Maximum depth**



## DECK STORAGE

### TOOL BOXES

A = Battery box

19" long

22" wide

11.5" deep

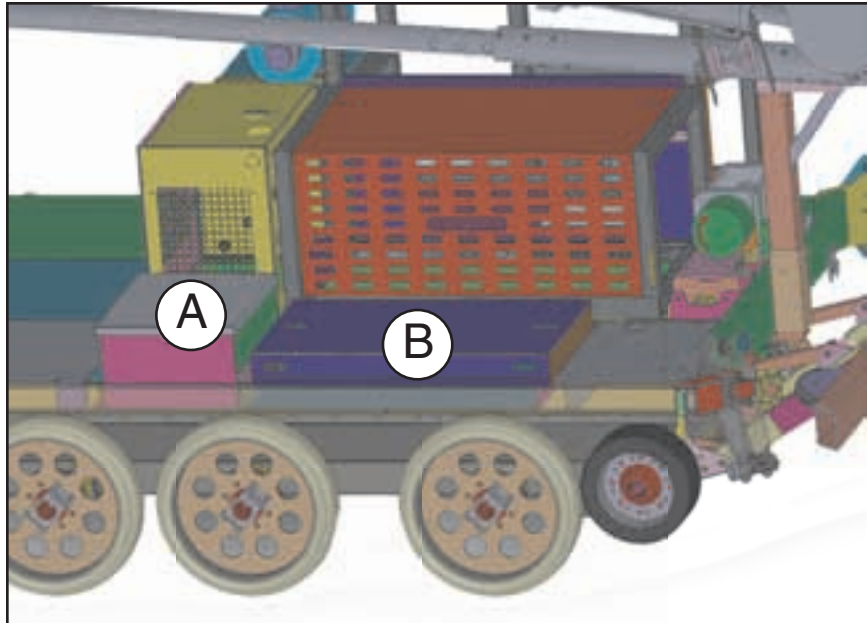
- When dual batteries are installed useable area is 19" long x 7" wide x 11.5" deep

B = Tool box

42.5" long

22" wide

8" deep



### DECK AREA

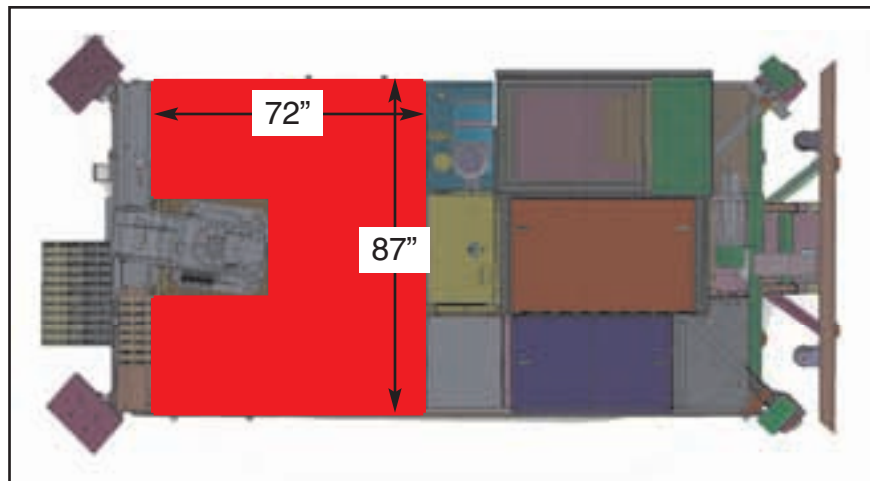
Outlined in red

72" long

87" wide

- Less 34" x 26" for tower base.

- Fitted with wood sides 9.5" high



# UTV Achiever Digger Derrick Parts Manual - specification

## OPTION - Tie Downs, 2 x Flush Mount in Rear, 2 x on Posts

SF006

