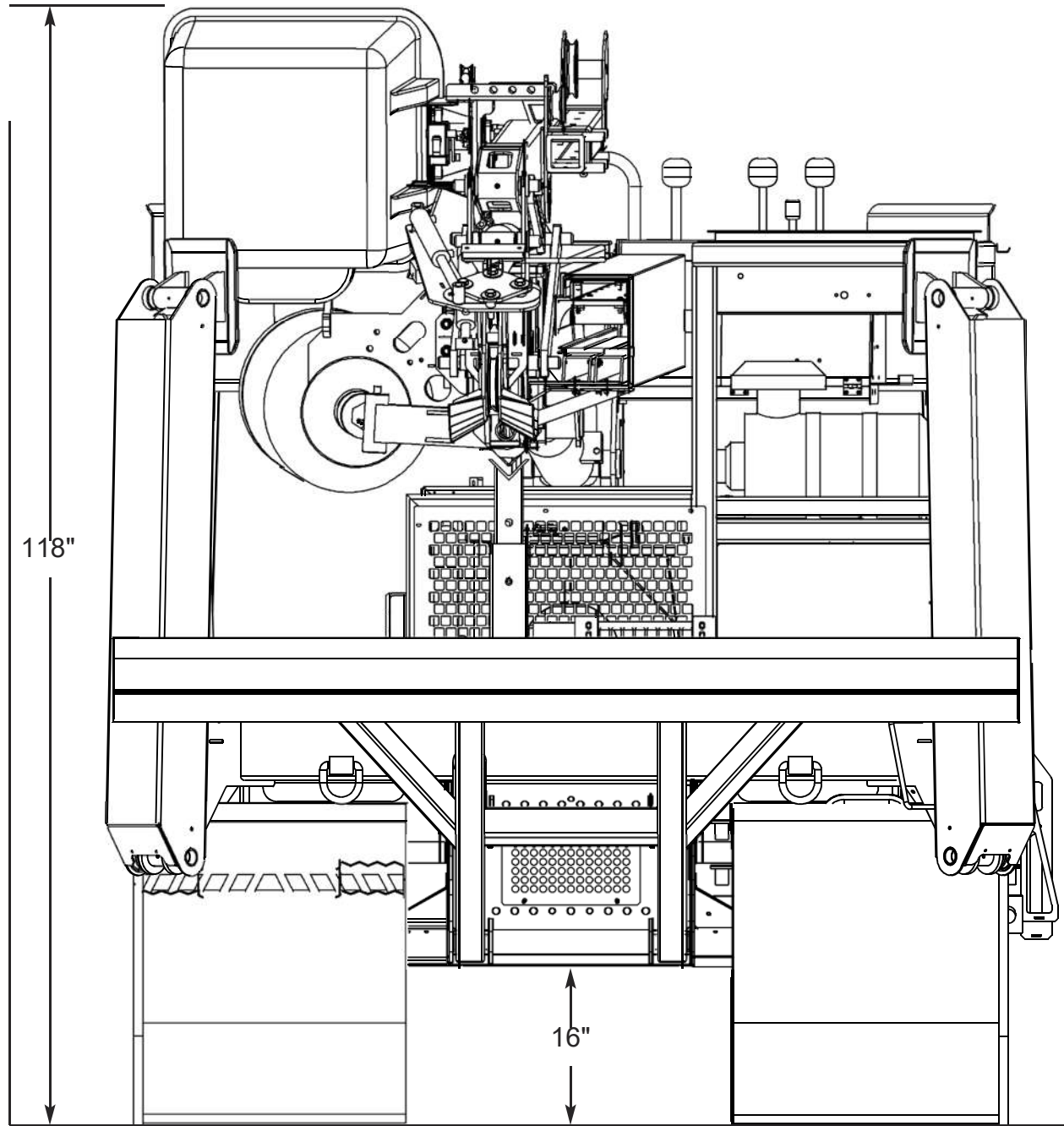
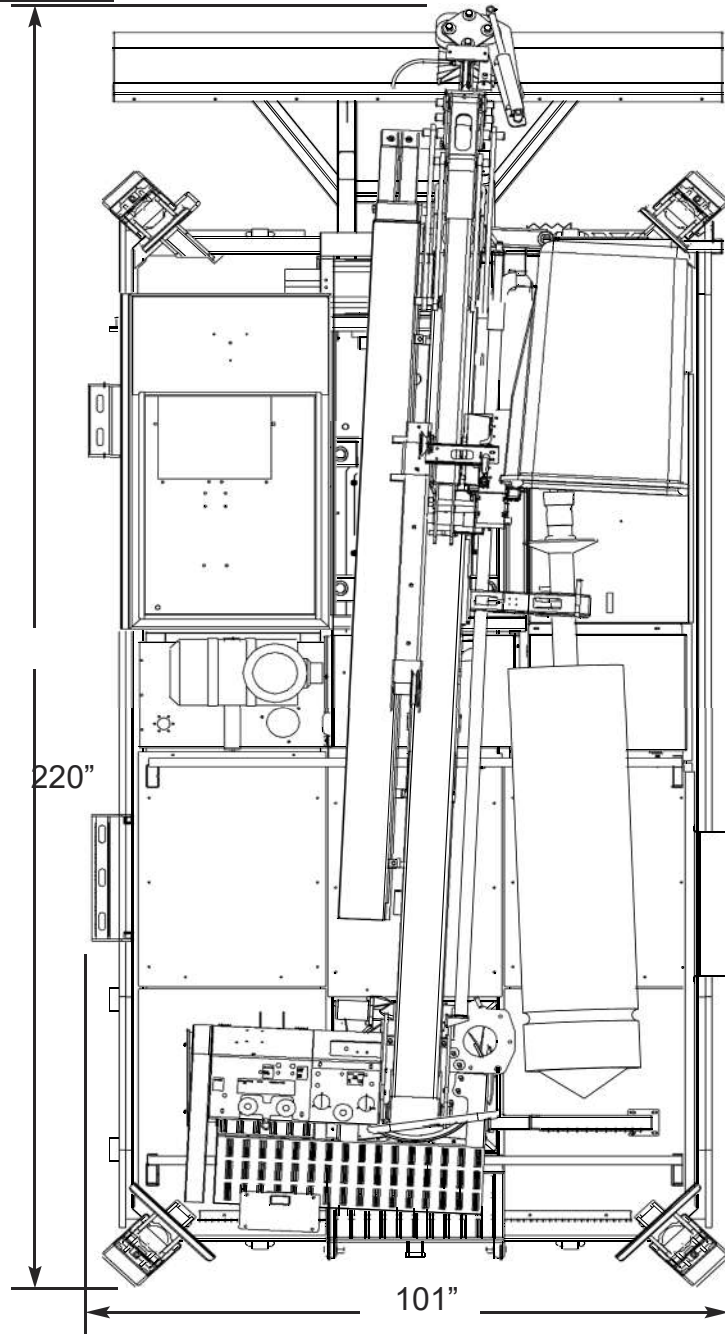


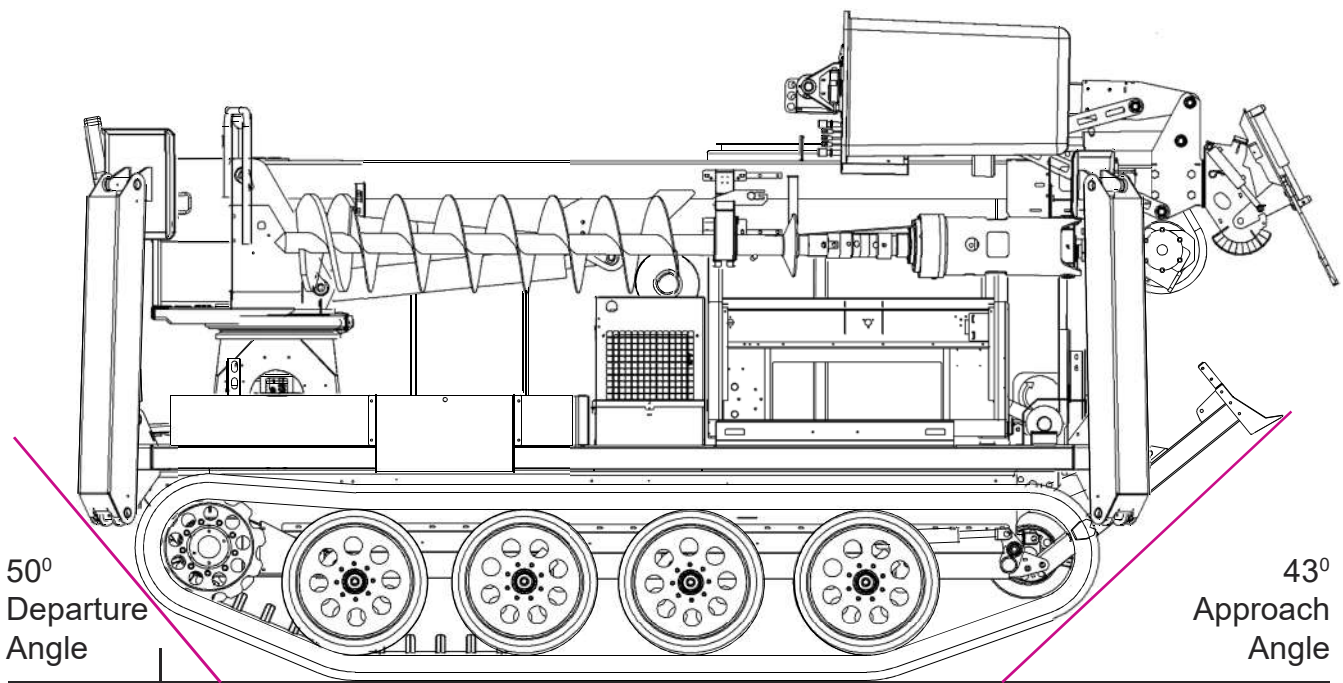
DIMENSIONS

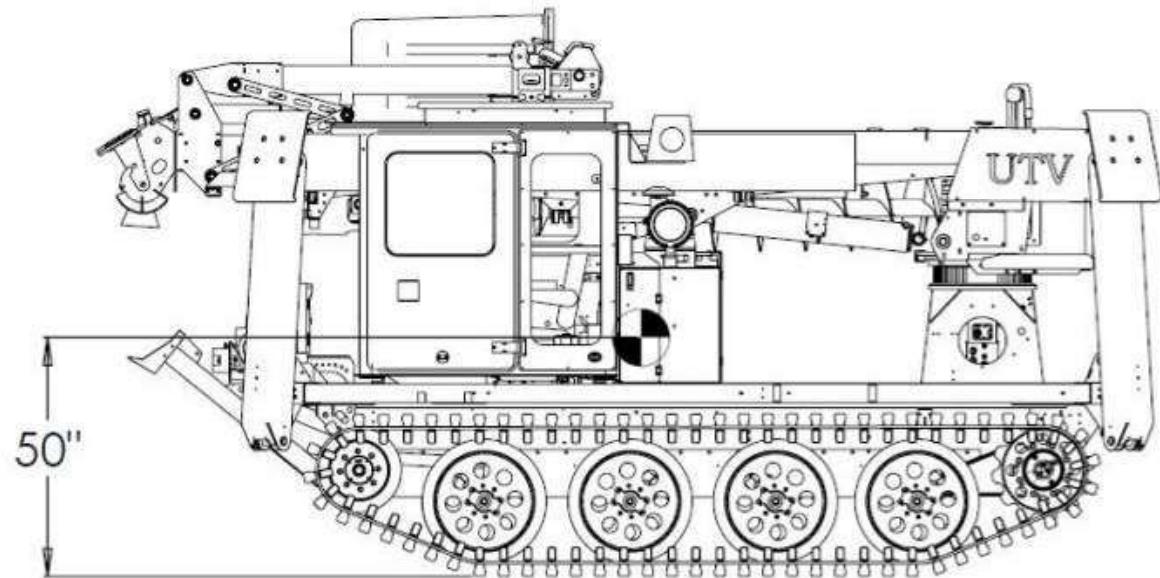
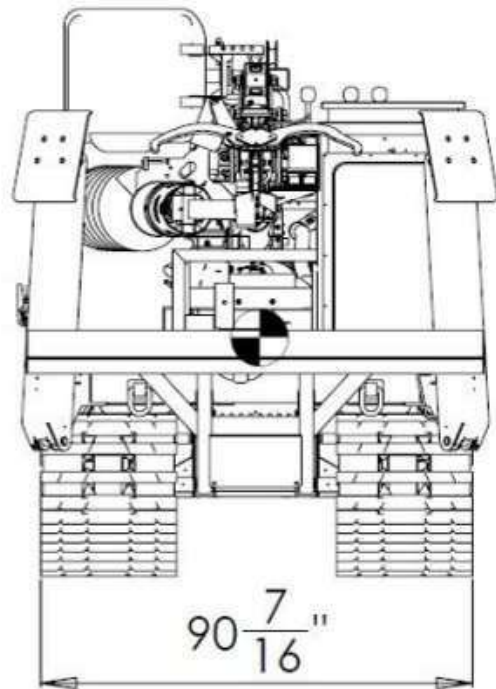
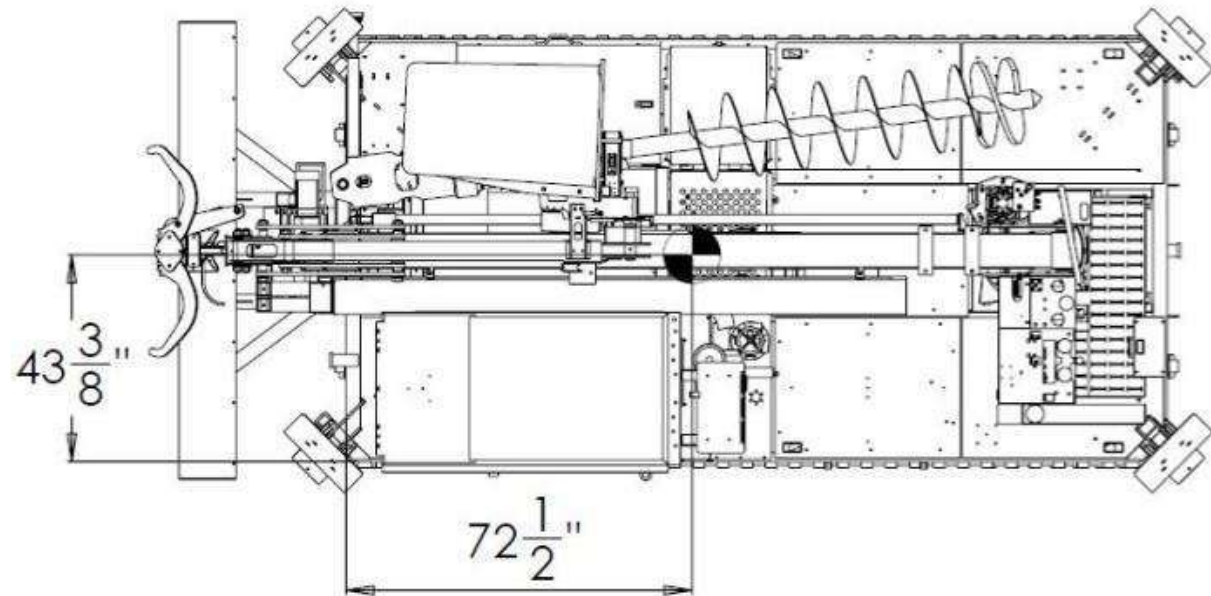


DIMENSIONS



DIMENSIONS





**NOTE:**  
 THE C.G. HAS BEEN MEASURED USING CLOSED CAB  
 & TIP WINCH CONFIGURATION.

**MASS : 18 260 LBS**

<p><b>ATTENTION</b></p> <p>THIS DOCUMENT/DRAWING IS THE INTELLECTUAL PROPERTY OF UTV INTERNATIONAL AND MAY NOT BE USED, COPIED OR DISCLOSED WITHOUT THE EXPRESS AUTHORIZATION OF THE COMPANY.</p>	DESIGNED BY:	DATE:	<b>UTV INTERNATIONAL</b> MONT-ROYAL, QUEBEC
	DRAWN BY:	2019-11-15	
	APPROVED:	A.M.	CREATION DATE:
	SCALE:	1:20	MAT:
TOLERANCES (EXCEPT WHERE NOTED) FRAC. ±1/2"    ANG. ±0.5° DEC. X.XXX ±0.006 X.XX ±0.016 X.X ±0.030			TITLE: <b>RT02-DD CENTER OF GRAVITY</b>
			DWG.NO.: <b>RT02-DD-CG-FS-A</b>
			SHEET <b>1 of 1</b>