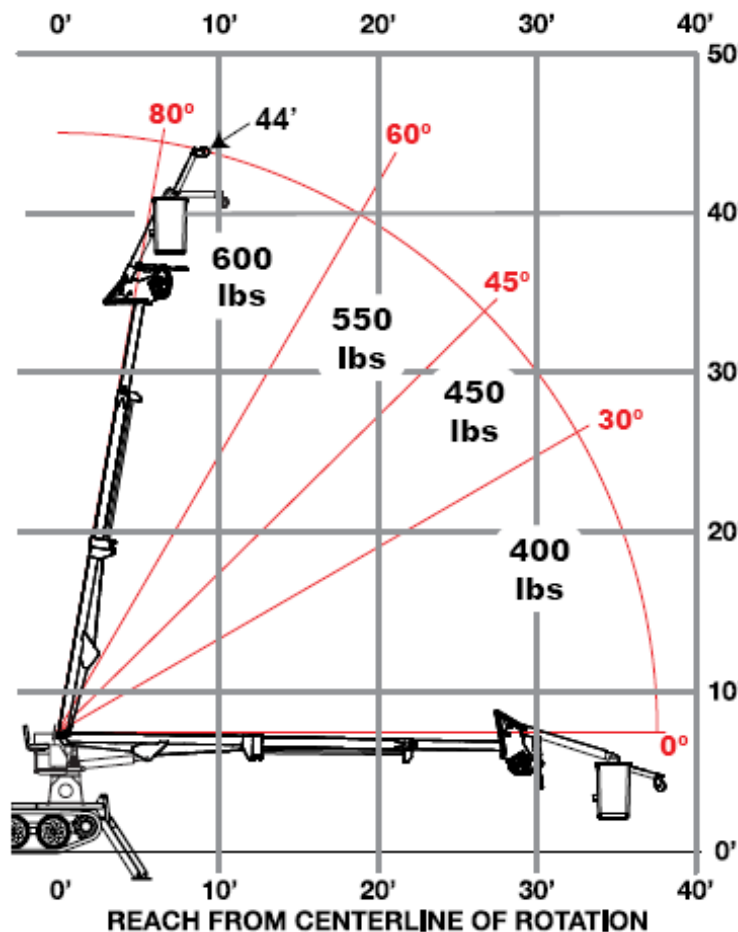


JIB OPERATIONS

JIB LOAD CHART

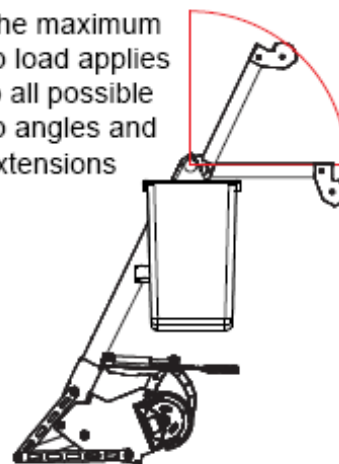
<b>JIB LOAD CAPACITY</b>			
<b>BOOM ANGLE</b>	<b>All Booms Collapsed</b>	<b>Only 2nd Boom Extended</b>	<b>2nd Boom and 4' of 3rd Boom Extended</b>
<b>0°</b>	<b>400 lbs</b>	<b>400 lbs</b>	<b>400 lbs</b>
<b>30°</b>	<b>450 lbs</b>	<b>450 lbs</b>	<b>450 lbs</b>
<b>45°</b>	<b>550 lbs</b>	<b>550 lbs</b>	<b>550 lbs</b>
<b>60°</b>	<b>600 lbs</b>	<b>600 lbs</b>	<b>600 lbs</b>
<b>80°</b>	<b>600 lbs</b>	<b>600 lbs</b>	<b>600 lbs</b>



JIB LOAD/REACH CHART

- The maximum jib load is always determined by the boom angle.
- The jib load as indicated applies to all possible jib positions.
- The maximum attainable jib sheave height is 44'

The maximum jib load applies to all possible jib angles and extensions



## DECK STORAGE

### TOOL BOXES

A = Battery box

19" long

22" wide

11.5" deep

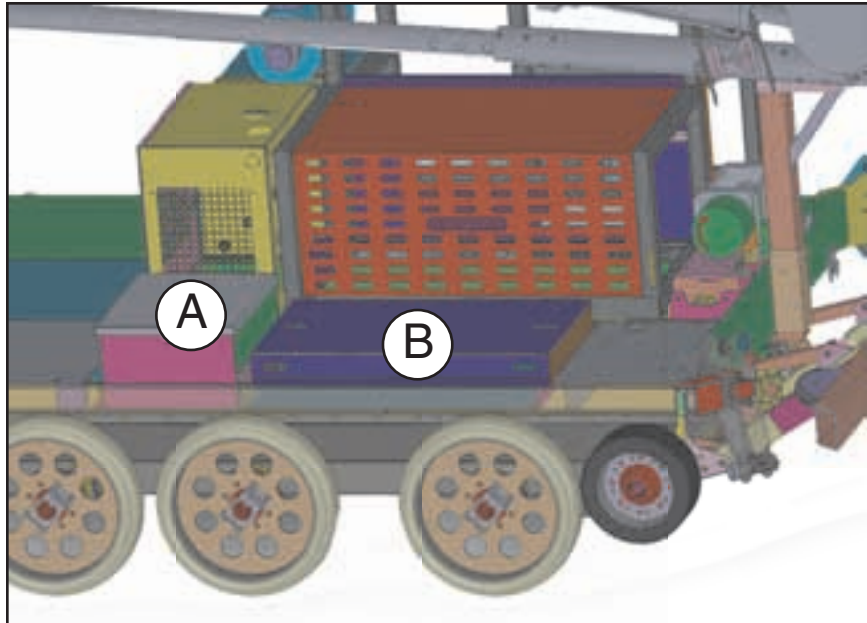
- When dual batteries are installed useable area is 19" long x 7" wide x 11.5" deep

B = Tool box

42.5" long

22" wide

8" deep



### DECK AREA

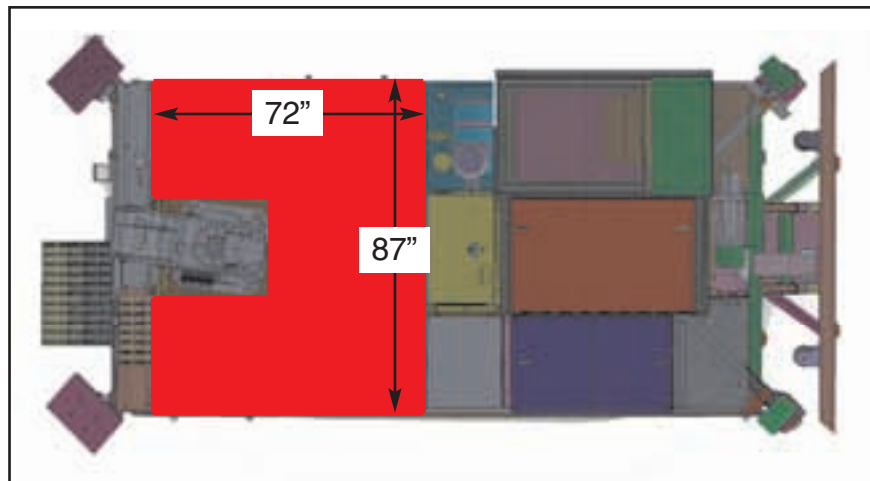
Outlined in red

72" long

87" wide

- Less 34" x 26" for tower base.

- Fitted with wood sides 9.5" high

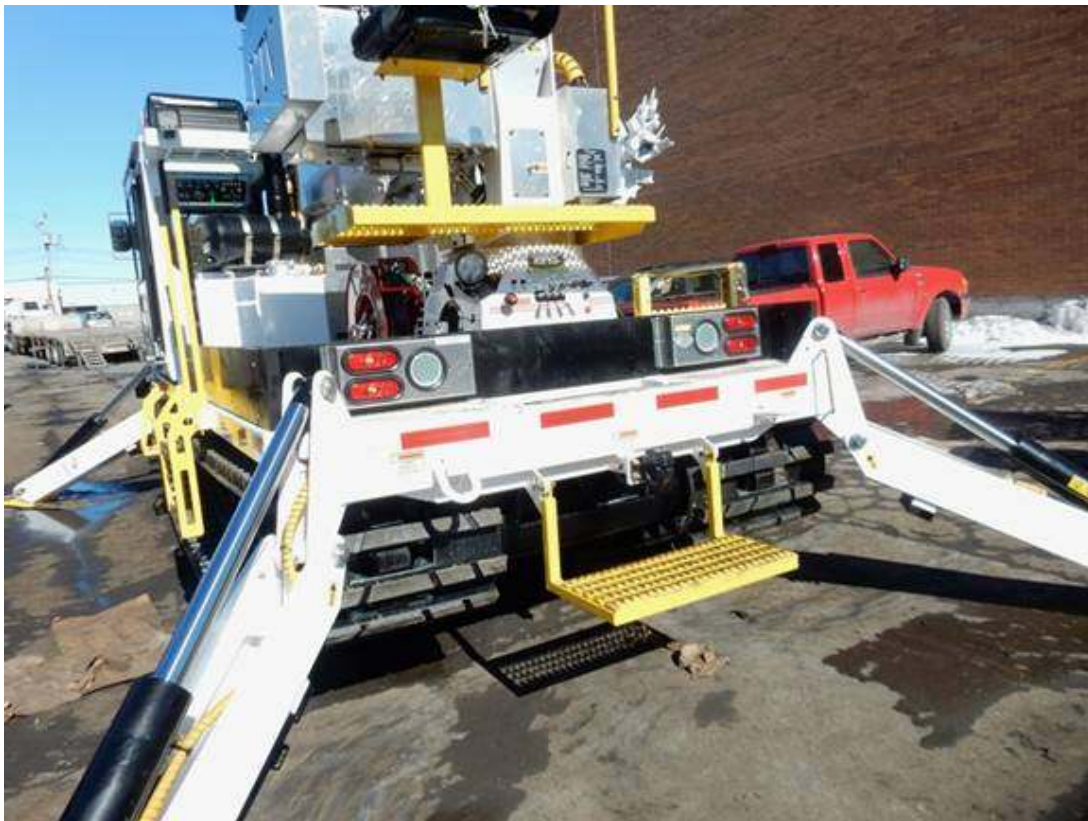


Subject: UTV International Achiever RT-02 DD DOT Road Lighting Package



Below are photos of the DOT Lighting Package. The package consists of: 2x Front amber clearance & 2x directional lights 2x Rear red clearance & 2x turn signal lights 2x Rear stop/turn/tail lights 2x Reverse lights 2x Enclosures for rear tail/stop/turn and reverse lights 1x License plate bracket & 1x license plate light 1x Turn signal/hazard switch (requires special joystick holder) & 1x Flasher relay. Turn signals are slaved to the left & right track Joysticks.





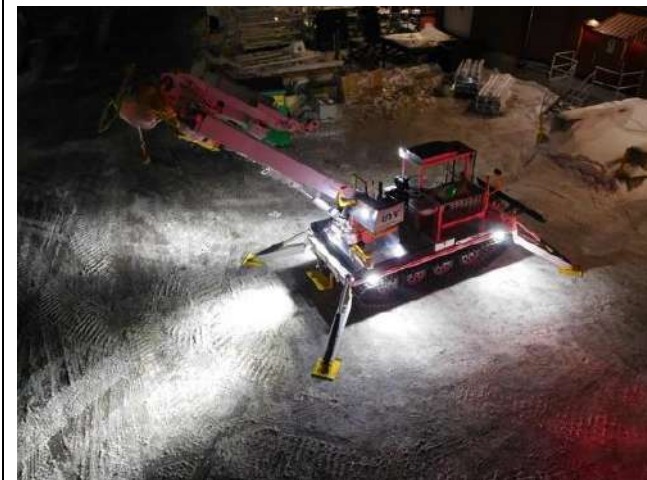
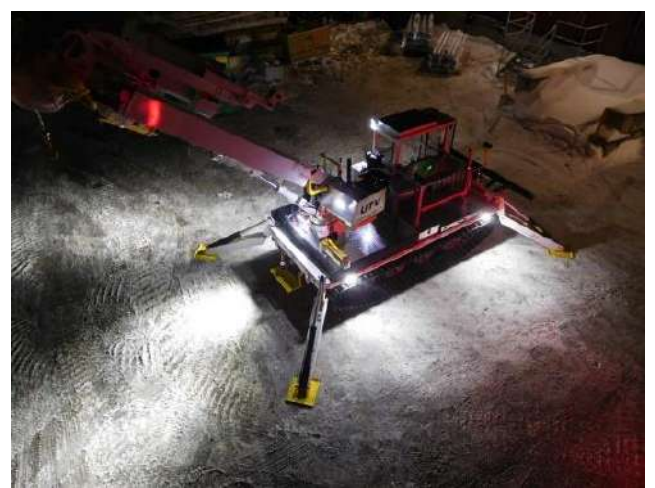
Please let us know If you have any questions.

**UTV International** [info@utvint.com](mailto:info@utvint.com) Ph: (514)345-0990  
<http://www.utvint.com> Fax:(514)345-0956

For more information, please call or e-mail  
**1-800-985-8665** [sales@utvint.com](mailto:sales@utvint.com)

## Achiever RT-02 DD Around the Vehicle Ground Illumination

4 LED surface mounted ground lights on the sub frame near the corners with a 40° down-angle. Provides around the vehicle ground lighting for a safer working environment by making hazards such as holes, ridges, dropped items more visible.





Anchor Adaptor



1 and a Half Inch Anchor Tool Drive

# UTV Achiever Digger Derrick Parts Manual - specification

## OPTION - Tie Downs, 2 x Flush Mount in Rear, 2 x on Posts

SF006

