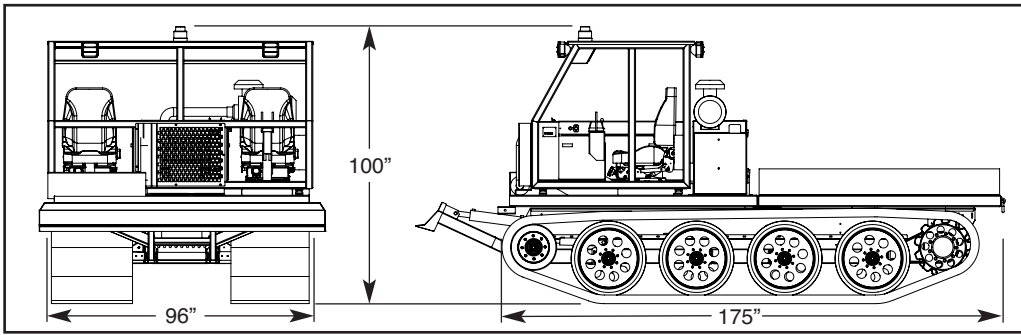


# ACHIEVER

## TRACKED UTILITY VEHICLES

### THE ULTIMATE IN MULTITASK TRACKED VEHICLES





# RT-04U

## Dimensions for 2 Man Open Cab

### DIMENSIONS / WEIGHT

Overall Length	175" Without plow (201" with plow)
Overall Width	96" Without plow (101" with plow)
Overall Height	100"
Ground Clearance	15"

### Weight & Payload

- Basic Vehicle 11 000 Lbs. (Two man closed cab)
- Payload 8 000 Lbs.

### Deck Area

51 ft<sup>2</sup> or 59 ft<sup>2</sup>

### PERFORMANCE DATA

Maximum speed	10 mph
Inside turning radius	0 ft.
Climbing Ability	
- Uphill	40° (90%)
- Side-hill	20° (45%)
Ground Pressure (empty)	1.75 PSI at 0 penetration, 1.25 at 10" penetration
Ground pressure (loaded)	3.10 PSI at 0 penetration, 2.22 at 10" penetration
Normal Driving Range	10 Hours

### ENGINE

Make	Fiat Powertrain Technologies
Model	Iveco M45MST 4.5 Liter 4-Cylinder Intercooled Turbocharged Diesel
Horsepower	125 HP @ 2 200 RPM
Torque	324 ft-lb @ 2 000 RPM
Fuel capacity	40 gallons
Average fuel consumption	4 gallons per hour

### FRAME / SUSPENSION

Type	Corten welded tub
Axles	Torsion Axle
Tires	Solid Rubber

### Suspension system comes with:

- 2 independent idler wheels with grease hubs (optional oil hubs available)
- 8 solid wheels with grease hubs (optional oil hubs available)
- 2 rear drive sprockets

### TRACKS

Type	Rubber 5-ply belts 28.5" Rubberized aluminum crosslinks
------	--

### STEERING

Independent dual joysticks with cable control for each track.

### ELECTRICAL

Voltage	12 V
Battery Capacity	900 CCA
Alternator Capacity	90 Amps
Ground	Negative

### POWER TRAIN FOR HYDROSTATIC DRIVE

Transmission	Hydrostatic, 2-speed
Parking Brakes	Multi-disc, spring applied & pressure released
Service Brakes	Positive deceleration through the hydrostatic transmission

### STANDARD FEATURES

- Cab R.O.P.S.
- 2 Set of Parts & Service Manuals
- Front and rear hitch receivers
- Intake heater for cold startup
- Block heater
- Front and rear winch connectors

### STANDARD WARRANTY

- 1 Year full warranty
- Extended warranty on select engine and hydraulic components



### OPTIONAL EQUIPMENT & ACCESSORIES\*

- |  |  |   |
|--|--|---|
| <ul style="list-style-type: none"> <li>• 1 Man open cab</li> <li>• 1 Man closed cab</li> <li>• 2 Man open cab</li> <li>• 2 Man closed cab</li> <li>• 5 Man open cab</li> <li>• 5 Man closed cab</li> <li>• Brush guards</li> </ul> | <ul style="list-style-type: none"> <li>• Spark arrestor</li> <li>• Additional lights</li> <li>• Air conditioning</li> <li>• Espar heater</li> <li>• Dual batteries</li> <li>• Cold start up kit</li> <li>• Auxiliary hydraulics</li> </ul> | <ul style="list-style-type: none"> <li>• Extended deck</li> <li>• 10" wooden sides</li> <li>• 24" wooden sides</li> <li>• 10 000, 12 000 or 16 500 lbs electric winch</li> <li>• Pintle hook</li> <li>• Front plow</li> <li>• Self loading crane</li> </ul> |
|--|--|---|

\*Other features available upon request

The specifications given are for a basic vehicle and tested under ideal conditions. The manufacturer reserves the right to change specifications without notice.

**UTV**  
International  
8650 Darnley Road  
Mont-Royal, Québec  
Canada H4T 1M4

### Manufacturers of



1-800-985-8665 WWW.UTVINT.COM

### Dealer