

Achiever RT-04 Low Ground Pressure Tracked Carrier SPECIFICATIONS

<u>DIMENSIONS / WEIGHT</u>		<u>FRAME / SUSPENSION</u>	
Overall Length	189" (without plow) 205" (with plow)	Type	Welded tub
Overall Width	96"	Axle	Torsion axle
Height	103"	Tires	Solid rubber
Ground Clearance	17"	Suspension system comes with:	
Weight & Payload		➤	2 independent idler wheels with oil bath hubs
- Basic Vehicle	10,500 Lbs.	➤	8 solid wheels with grease hubs
- Payload	8,000 Lbs.	➤	2 rear drive sprockets
Rear Deck (Optional)	96" wide x 79" long	<u>POWER TRAIN FOR HYDROSTATIC DRIVE</u>	
<u>PERFORMANCE DATA</u>		Transmission	Hydrostatic, 2-speed
Maximum Speed	10 mph	Service Brakes	Positive deceleration through the hydrostatic transmission
Inside Turning Radius	0 ft.	Parking brakes	Multi-Disc, spring applied & pressure released
Climbing Ability		<u>TRACKS</u>	
- Uphill	40° (84%) (loaded)	Rubber 5-ply belts with 29" high profile rubber crosslinks with heat treated aluminum inserts	
- Side-hill	20° (36%) (no load)	<u>ELECTRICAL</u>	
Ground Pressure	1.45 PSI (no load)	Voltage	12v
(standard 29" Tracks)	2.62 PSI (loaded)	2x batteries, capacity	1,060 CCA
(optional 33" Tracks)	1.27 PSI (no load)	Alternator capacity	120 Amps.
	2.30 PSI (loaded)	Ground	Negative
Max Fording Depth	36"	<u>STANDARD FEATURES</u>	
Tank Working Range	12 Hours	2" Front electric winch socket	
<u>ENGINE</u>		1-man open cab ROPS certified to 24,000 lbs	
Make	Deutz AG	Roll Over Protection Structure ISO 3471:2008	
Model	TCD 3.6 L4, 4 cylinder Turbo charged diesel	Drivers side cab entrance step	
Displacement	3.6 liters	Mechanical suspension seat with 2-point seat belt	
Horsepower	134 HP at 2,300 RPM	Full instrumentation, illuminated panel gauge	
Torque	369 ft lbs at 1,600 RPM	Fire extinguisher, backup alarm and horn	
DEF Tank	2.6 gals.	High powered LED lights - 2 front, 1 rear, 1 beacon light	
Fuel Capacity	40 gals.	120v block heater, glow plugs, muffler	
Average Fuel Consumption	4 gals per hour	12v primary fuel filter heater	
<u>STEERING</u>		Secondary fuel filter with water separator	
Independent dual joysticks with cable control for each track		Oil cooler for hydraulic reservoir	
		Electric engine shut down system	
		Dust cap retainers, One set of parts & service manuals	

Achiever RT-04 Optional Equipment & Accessories

Front Options

Front bumper in place of plow
Front 2-way 8 ft, 6 in straight plow (light brush clearing blade)
Front plow blade with float position
19" height extension for plowing snow
16,500 lbs electric winch with front wiring & remote control (wired, 12 ft lead)
Rear wiring for electric winch



UTV INTERNATIONAL



Achiever RT-04 Optional Equipment & Accessories Front Options continued

Front mount storage for electric winch when hydraulic winch equipped
18,000 lbs hydraulic winch, fixed front mount with in cab controls

Cab Options

Driver's front wire mesh screen (open cab)
Driver's left side wire mesh door and side wall for 1-man cab (open or closed)
Driver's right side wire mesh screen (open cab)
Driver's rear wire mesh screen (open cab)
Aluminum escape hatch for open cab (required when four sides wire mesh)
Steel escape hatch for 1 man open or closed cab (adds FOPS certification)
Opening sunroof for 1-man cab (hinged escape hatch with adjustable opening)
Tinted safety glass escape hatch with adjustable opening for 1-man cab (not FOPS certified)
Protective Brush Guard for LED Lights
Cab mounted front brush guard for closed cab
1-man closed cab (ROPS Certified) 1 vinyl mechanical suspension seat with slider, 2 point seat belt & rearview mirror Driver's aluminum escape hatch Sliding left & right side window Heater defroster & circulation fan Front windshield on-off wiper, front windshield washer Door with dual locking system
Brush guard for 2-man or 4-man cab
2-man open cab with Roll Over Protection System: 2 vinyl mechanical suspension seats with slider, 2 point seat belts & (1) rearview mirror
2-man closed cab with Roll Over Protection System: 2 vinyl mechanical suspension seats with slider, 2 point seat belts & (1) rearview mirror Driver's aluminum escape hatch Sliding left & right side window Heater defroster & circulation fan Front windshield on-off wipers, front windshield washers 2 doors with dual locking system
4-man open cab with Roll Over Protection System: 2 front & 2 rear vinyl mechanical suspension seats with slider, 2 point seat belts (1) rearview mirror
4-man closed cab with Roll Over Protection System: 2 front & 2 rear vinyl mechanical suspension seats with slider, 2 point seat belts (1) rearview mirror Driver's roof aluminum escape hatch Sliding left & right side window Heater defroster & circulation fan Front windshield on-off wipers, front windshild washers 4 doors with dual locking system
Front windshield intermittent wiper for closed cab
Rear windshield wiper for closed cab
Sun visor
Driver's 3 point seat belt



Achiever RT-04 Optional Equipment continued Cab Options continued

Premium cab insulation
Passenger's inside rear view mirror
Additional removable cab entrance step (open or closed cab)
Street side rear view mirror
Street side rear view mirror with electric heating
Curb side rear view mirror
Back up camera with heated lens and 7" in-cab waterproof display
DC Comfort Air Conditioning 6,000 BTU/hr, 12v for 1-man cab
Air Conditioning 12,000 Btu/hr for 2 or 4 man cab

Lighting Options

Golight Stryker spotlight on top of cab with guarding & in cab & hand held remote control
2x 120 watts LED light bars (behind the cab, swiveling & one fixed over the engine cover)

Engine & Cold Weather Options

Spark arrestor
12v engine coolant heater, 17,000 Btu with 7 day programmable timer
120v battery charger
120v hydraulic oil tank heater
120v battery charger
Synthetic engine oil
Winter bridge & engine cover for 1 man cab
Coolant battery heater
2x 120v battery heaters
Glycol coolant
Synthetic hydraulic oil
1,800 watt gas powered portable generator / inverter with on deck storage

Track Options

Change 29" rubber tracks to 28" D-Dent tracks
Change 29" rubber tracks to 33" D-Dent tracks
Change 29" to 33" high profile rubber tracks with heat treated aluminum inserts
Ice claws for rubber tracks (17 each side)

Vehicle Options / Features

Tool box on deck (front right side)
Non slip coating on deck
(8) Oil bath hubs on road wheels
Side ladder for rear deck
Rear flatbed deck 90" wide x 79" long for 1 man cab
Rear deck flatbed 90" wide x 79" long for 2 man cab
Rear deck flatbed 90" wide x 79" long for 4 man cab
Extend rear flatbed deck by 10"

UTV INTERNATIONAL

Achiever RT-04 Optional Equipment continued Vehicle Options / Features continued

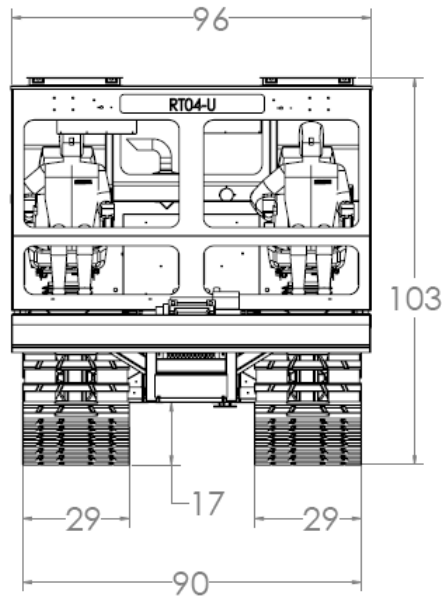
12" wooden side wall on deck (removable)
24" wooden side wall on deck (removable)
Rear 2-way low flow hydraulics
Rear 2-way high flow hydraulics (up to 45 GPM)
Hydraulic tool outlet on deck with hose reel with twin hoses 3/8" dia x 30' lg (7 GPM at 2,000 PSI) single direction
Rear deck mounted crane, installed behind the cab, curb side (1,900 lbs at 3' 7", 725 lbs at 9' 2")
Rear 2" receiver socket with pintle hook
Additional set of manuals
Maintenance kit (high performance filters for first 100 hour maintenance, return & supercharge filters)

Additional Available Options

Recommended spare parts for remote operations
One full day on site operations and maintenance training

Other options available on request

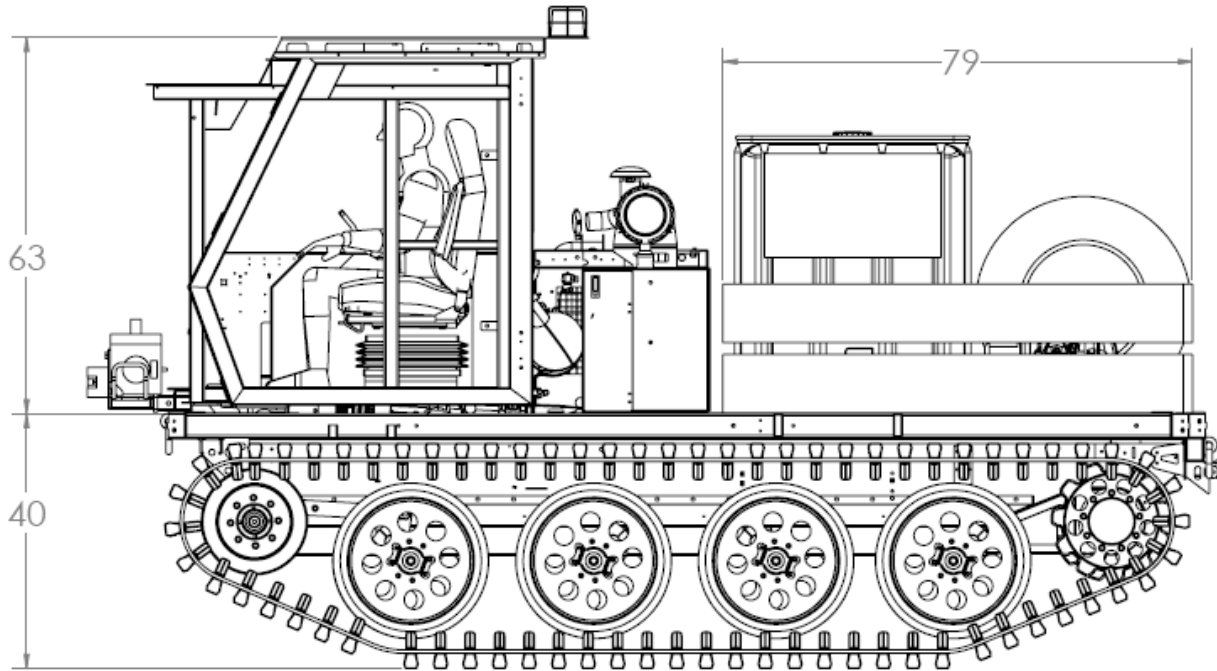
Achiever RT-04 Low Ground Pressure Tracked Carrier 2 Man Cab Dimensions



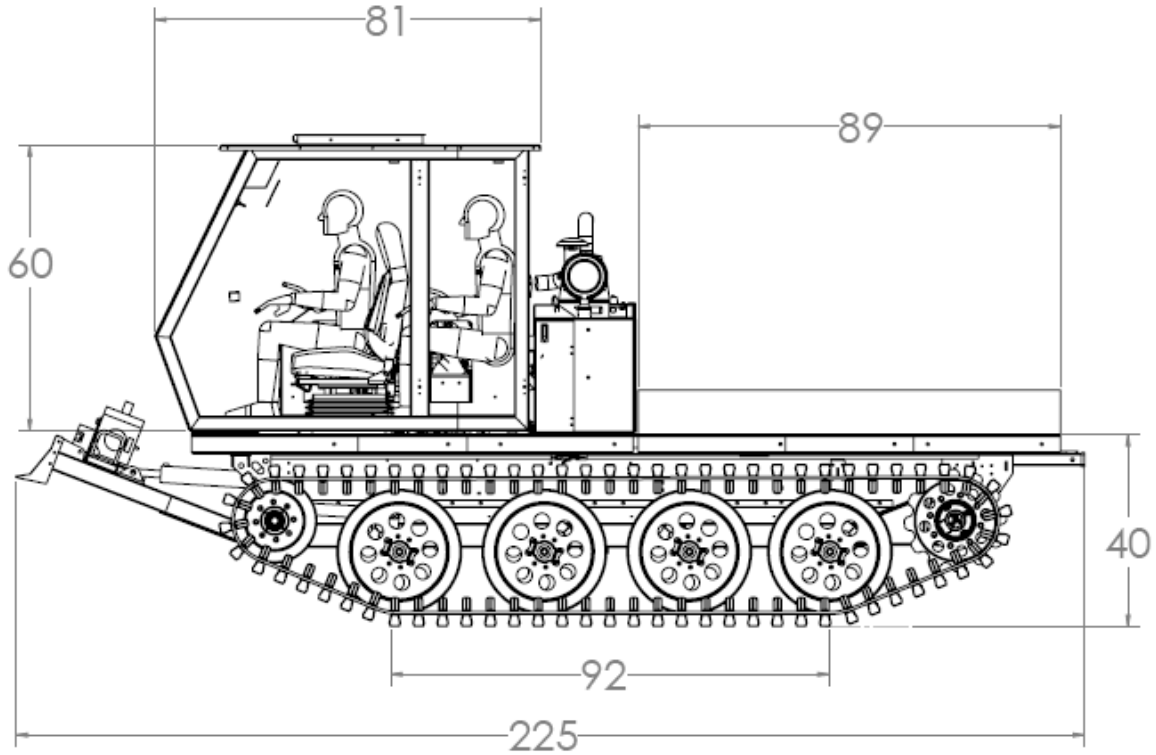
UTV INTERNATIONAL

Achiever RT-04 Low Ground Pressure Tracked Carrier

2 Man Cab Dimensions



Achiever RT-04 Low Ground Pressure Tracked Carrier 4 Man Cab with Extended Deck Dimensions



Achiever RT-04 Low Ground Pressure Tracked Carrier Some Configurations



Achiever RT-04 Low Ground Pressure Tracked Carrier Some Configurations

