



UTV INTERNATIONAL



Achiever RT-04 Low Ground Pressure Utility Vehicle SPECIFICATIONS

<u>DIMENSIONS / WEIGHT</u>		<u>FRAME / SUSPENSION</u>	
Overall Length	189" (without plow) 205" (with plow)	Type	Welded tub
Overall Width	96"	Axle	Torsion axle
Height	103"	Tires	Solid rubber
Ground Clearance	17"	Suspension system comes with:	
Weight & Payload		<ul style="list-style-type: none"> ➤ 2 independent idler wheels with oil bath hubs ➤ 8 solid wheels with grease hubs ➤ 2 rear drive sprockets 	
- Basic Vehicle	10,500 Lbs.	<u>POWER TRAIN FOR HYDROSTATIC DRIVE</u>	
- Payload	8,000 Lbs.	Transmission	Hydrostatic, 2-speed
Rear Deck (Optional)	96" wide x 79" long	Service Brakes	Positive deceleration through the hydrostatic transmission
<u>PERFORMANCE DATA</u>		Parking brakes	Multi-Disc, spring applied & pressure released
Maximum Speed	10 mph	<u>TRACKS</u>	
Inside Turning Radius	0 ft.	Rubber 5-ply belts with 29" high profile rubber crosslinks with heat treated aluminum inserts	
Climbing Ability		<u>ELECTRICAL</u>	
- Uphill	40° (84%) (loaded)	Voltage	12v
- Side-hill	20° (36%) (no load)	2x batteries, capacity	1,060 CCA
Ground Pressure	1.45 PSI (no load)	Alternator capacity	120 Amps.
(standard 29" Tracks)	2.62 PSI (loaded)	Ground	Negative
(optional 33" Tracks)	1.27 PSI (no load) 2.30 PSI (loaded)	<u>STANDARD FEATURES</u>	
Max Fording Depth	36"	2" Front electric winch socket	
Tank Working Range	12 Hours	1-man open cab ROPS certified	
<u>ENGINE</u>		Mechanical suspension seat with 2-point seat belt	
Make	Deutz AG	Full instrumentation, illuminated panel gauge	
Model	TCD 3.6 L4, 4 cylinder Turbo charged diesel	Fire extinguisher	
Displacement	3.6 liters	Backup alarm and horn	
Horsepower	134 HP at 2,300 RPM	120v block heater, glow plugs, 12v heated fuel filter,	
Torque	369 ft lbs at 1,600 RPM	Secondary fuel filter with water separator,	
DEF Tank	2.6 gals.	Muffler, electric engine shut down system	
Fuel Capacity	40 gals.	High powered LED lights - 2 front, 1 rear, 1 beacon light	
Average Fuel Consumption	4 gals per hour	Drivers side cab entrance step	
<u>STEERING</u>		Dust cap retainers	
Independent dual joysticks with cable control for each track		One set of parts & service manuals	

Achiever RT-04 Optional Equipment & Accessories

Plow & Winch Options

Front bumper in place of plow
Front 2-way 8 ft, 6 in straight plow (light brush clearing blade)
Front plow blade with float position
19" height extension for plowing snow
16,500 lbs electric winch
Rear wiring for electric winch
18,000 lbs hydraulic winch, fixed front mount with in cab controls



Achiever RT-04 Optional Equipment continued

Cab Options

Driver's front wire mesh screen (open cab)
Driver's left side wire mesh door and side wall for 1-man cab (open or closed)
Driver's right side wire mesh screen (open cab)
Driver's rear wire mesh screen (open cab)
Aluminum escape hatch for open cab (required when four sides wire mesh)
Steel escape hatch for 1 man open or closed cab (adds FOPS certification)
Opening sunroof for 1-man cab (hinged escape hatch with adjustable opening)
Tinted safety glass escape hatch with adjustable opening for 1-man cab (not FOPS certified)
Protective Brush Guard for LED Lights
Cab mounted front brush guard for closed cab
1-man closed cab (ROPS Certified) 1 vinyl mechanical suspension seat with slider, 2 point seat belt & rearview mirror Driver's aluminum escape hatch Sliding left & right side window Heater defroster & circulation fan Front windshield on-off wiper, front windshield washer Door with dual locking system
Brush guard for 2-man or 4-man cab
2-man open cab with Roll Over Protection System: 2 vinyl mechanical suspension seats with slider, 2 point seat belts & (1) rearview mirror
2-man closed cab with Roll Over Protection System: 2 vinyl mechanical suspension seats with slider, 2 point seat belts & (1) rearview mirror Driver's aluminum escape hatch Sliding left & right side window Heater defroster & circulation fan Front windshield on-off wipers, front windshield washers 2 doors with dual locking system
4-man open cab with Roll Over Protection System: 2 front & 2 rear vinyl mechanical suspension seats with slider, 2 point seat belts (1) rearview mirror
4-man closed cab with Roll Over Protection System: 2 front & 2 rear vinyl mechanical suspension seats with slider, 2 point seat belts (1) rearview mirror Driver's roof aluminum escape hatch Sliding left & right side window Heater defroster & circulation fan Front windshield on-off wipers, front windshild washers 4 doors with dual locking system
Front windshield intermittent wiper for closed cab
Rear windshield wiper for closed cab
Sun visor
Driver's 3 point seat belt
Premium cab insulation

Achiever RT-04 Optional Equipment continued Cab Options continued

Passenger's inside rear view mirror
Additional removable cab entrance step (open or closed cab)
Street side rear view mirror
Street side rear view mirror with electric heating
Curb side rear view mirror
Back up camera with heated lens and 7" in-cab waterproof display
DC Comfort Air Conditioning 6,000 BTU/hr, 12v for 1-man cab
Air Conditioning 19,000 Btu/hr for 2 or 4 man cab

Lighting Options

Golight Stryker Spotlight on top of cab with protection, w/remote control
2x 120 watts LED light bars (behind the cab, swiveling & one fixed over the engine cover)

Engine & Cold Weather Options

Spark arrestor
120v hydraulic oil tank heater
120v battery charger
12v engine coolant heater, 17,000 Btu with 7 day programmable timer
Winter bridge & engine cover
Synthetic engine & ISO 22 hydraulic oil
Extreme cold package for operations to -40 deg F/-40 deg C External Power Available includes: 120v battery blanket heaters, insulated battery box, glycol coolant, synthetic engine & hydraulic oil
Extreme cold package for operations to -40 deg F/-40 deg C No External Power Available includes: 12v engine coolant heater, coolant battery heater, insulated battery box, glycol coolant, synthetic engine & hydraulic oil
2x 120v battery heaters
1,800 watt gas powered portable generator / inverter with on deck storage

Track Options

Change 29" rubber tracks to 28" D-Dent tracks
Change 29" rubber tracks to 33" D-Dent tracks
Change 29" to 33" high profile rubber tracks with heat treated aluminum inserts
Ice claws for rubber tracks (17 each side)

Vehicle Options / Features

Tool box on deck (front right side)
Non slip coating on deck
(8) Oil bath hubs on road wheels
Side ladder for rear deck
Rear flatbed deck 84" wide x 79" long for 1 man cab
Rear deck flatbed 96" wide x 79" long for 2 man cab
Rear deck flatbed 96" wide x 79" long for 4 man cab
Extended rear deck flatbed 96" wide x 89" long for 2 man cab
Extended rear deck flatbed 96" wide x 89" long for 4 man cab

UTV INTERNATIONAL

Achiever RT-04 Optional Equipment continued Vehicle Options / Features continued

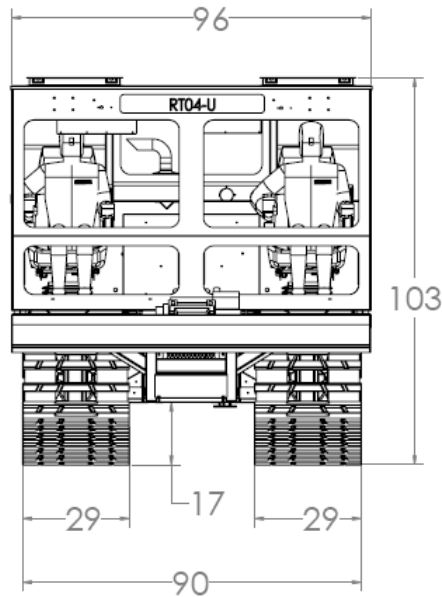
12" wooden side wall on deck (removable)
24" wooden side wall on deck (removable)
Rear 2-way low flow hydraulics
Rear 2-way 45 GPM high flow hydraulics
Hydraulic tool outlet on deck with hose reel with twin black hoses 3/8" dia x 30' lg (7 GPM @ 2,000 PSI) single direction
Rear deck mounted crane, installed behind the cab, curb side (1,900 lbs at 3' 7", 725 lbs at 9' 2")
Rear 2" receiver socket with pintle hook
Additional set of manuals
Maintenance kit (high performance filters for first 100 hour maintenance, return & supercharge filters)

Additional Available Options

Recommended spare parts for remote operations
One full day on site operations and maintenance training

Other options available on request

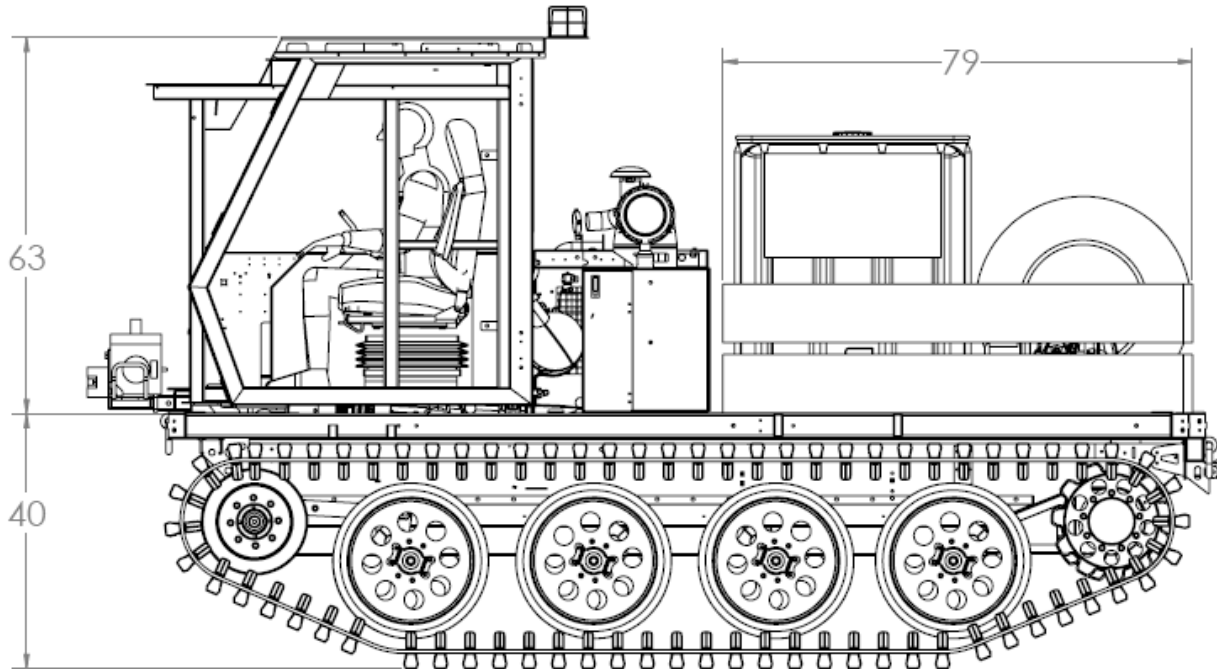
Achiever RT-04 Low Ground Pressure Utility Vehicle 2 Man Cab Dimensions



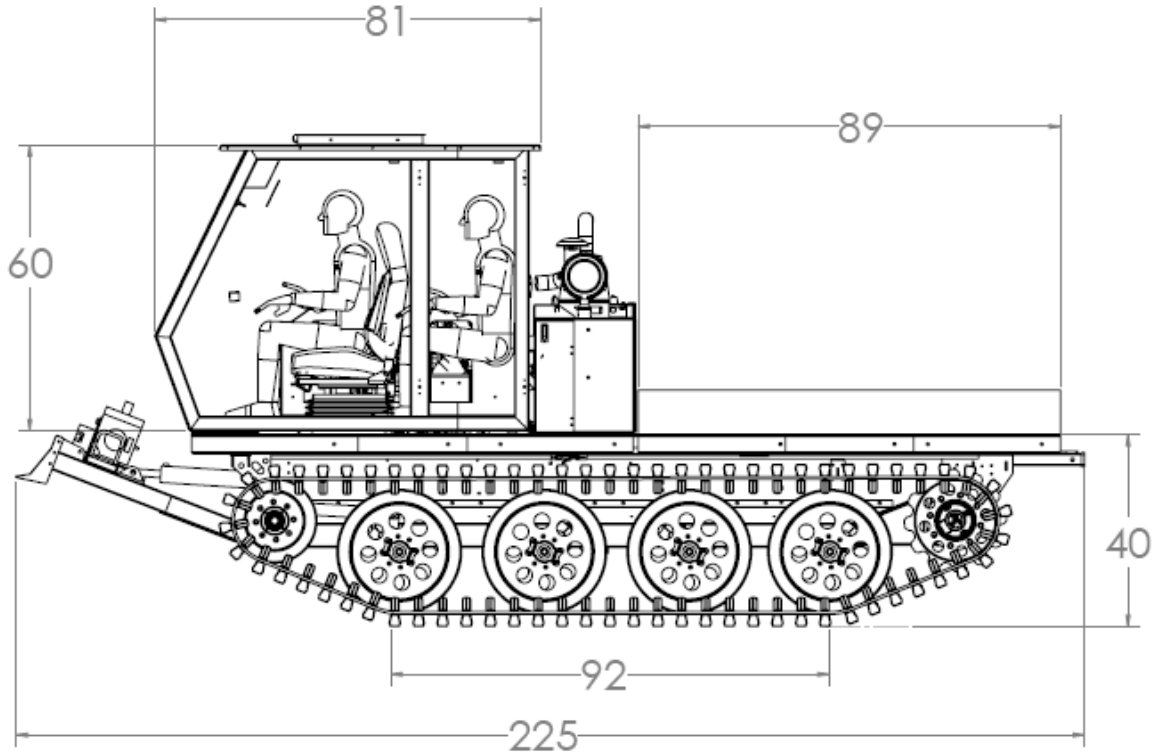
UTV INTERNATIONAL

Achiever RT-04 Low Ground Pressure Utility Vehicle

2 Man Cab Dimensions



Achiever RT-04 Low Ground Pressure Utility Vehicle 4 Man Cab with Extended Deck Dimensions



Achiever RT-04 Low Ground Pressure Utility Vehicle Some Configurations



Achiever RT-04 Low Ground Pressure Utility Vehicle Some Configurations

