



Hercules 5042/46 Digger Derrick/Aerial Lift for Power Line

| STANDARD SPECIFICATIONS | |
|--|-----------------|
| Lifting Capacity: | 5,000lbs @ 8 ft |
| Sheave Height: | 40' 6" |
| Bucket Reach: | 46' |
| Boom Operational Angles | -15° to 80° |
| Auger Digging Range | 11' - 18' |
| Planetary Winch Capacity: | 4,500 lbs |
| <ul style="list-style-type: none"> • Three stage telescoping boom with hydraulically extendible second and third stage boom • Hydraulic 4 way pole claw on third stage boom tip • Boom tip metal parts enclosed in plastic • Continuous rotation, planetary rotation drive with slip brake • Center mount pedestal over rear axle with boom stowed toward front • 5 function automatic hydraulic overload protection (HOP) system: protected functions: boom down, 1st extension, 2nd extension, winch & digger dig • Hydraulic side load protection allows rotation system to back drive • Full pressure hydraulic controls and turret mount seat for maximum comfort • Hydraulic turret winch 4,500 lb with 9/16" nylon rope, 5,000 lbs working load • 10,000 ft lb two speed auger drive, 2.5" hex shaft (standard - options available) • Curb side auger storage with over storage protection (standard - options available) • Auger storage for up to 24" diameter augers (inclusive) • 16" dirt or rock auger - other sizes available • 25 gallon hydraulic oil reservoir • Adjustable boom support installed at the front of the cab • Turret mounted lift capacity chart • Turret console mounted pressure gauges for system & auger • Full-length heavy duty tubular steel sub frame directly attached to pedestal & outrigger mounts to constitute a complete integral unit • Complete lubrication and operational testing prior to delivery. All adjustments to derrick systems and related made to factory recommended specifications prior to delivery | |

AVAILABLE DIGGER DERRICK & BOOM OPTIONS

| | | | |
|--|--|-----------------|--|
| Sub Frame | Recommended chassis 22,000+ lbs GVWR Type VI (Ford F600, F650 etc) | | |
| Sub Frame Options | 108" CA chassis | 120" CA chassis | |
| 3 rd & 4 th Boom | Insulated for 46 kVA category "C" | | |
| 4 th Boom | Folding bucket (42" x 24" x 24") attachment with full pressure top hydraulic controls - 5 Functions: winch, 1st & 2nd boom extension, boom elevation, & boom rotation. Wireless radio control in bucket for horn, throttle & engine start/stop | | |
| Boom Options | Bucket liner | | |
| | Hydraulic tools outlet in the bucket | | |
| | Hydraulically self-levelling bucket (not available with jib) | | |
| | Jib, 600 lb capacity with adjustable length and angle | | |
| | 12v emergency pump for boom rotation & lowering (activation at wireless radio control and boom seat operator's console) | | |
| Outrigger Options | Electronic foot pedal throttle at boom seat console | | |
| | Full footprint - 4 hydraulic radial outriggers | | |
| Flat Bed Option | "A" frame outriggers front and back | | |
| | 7' X 7' flat bed with 10" high wooden side wall | | |

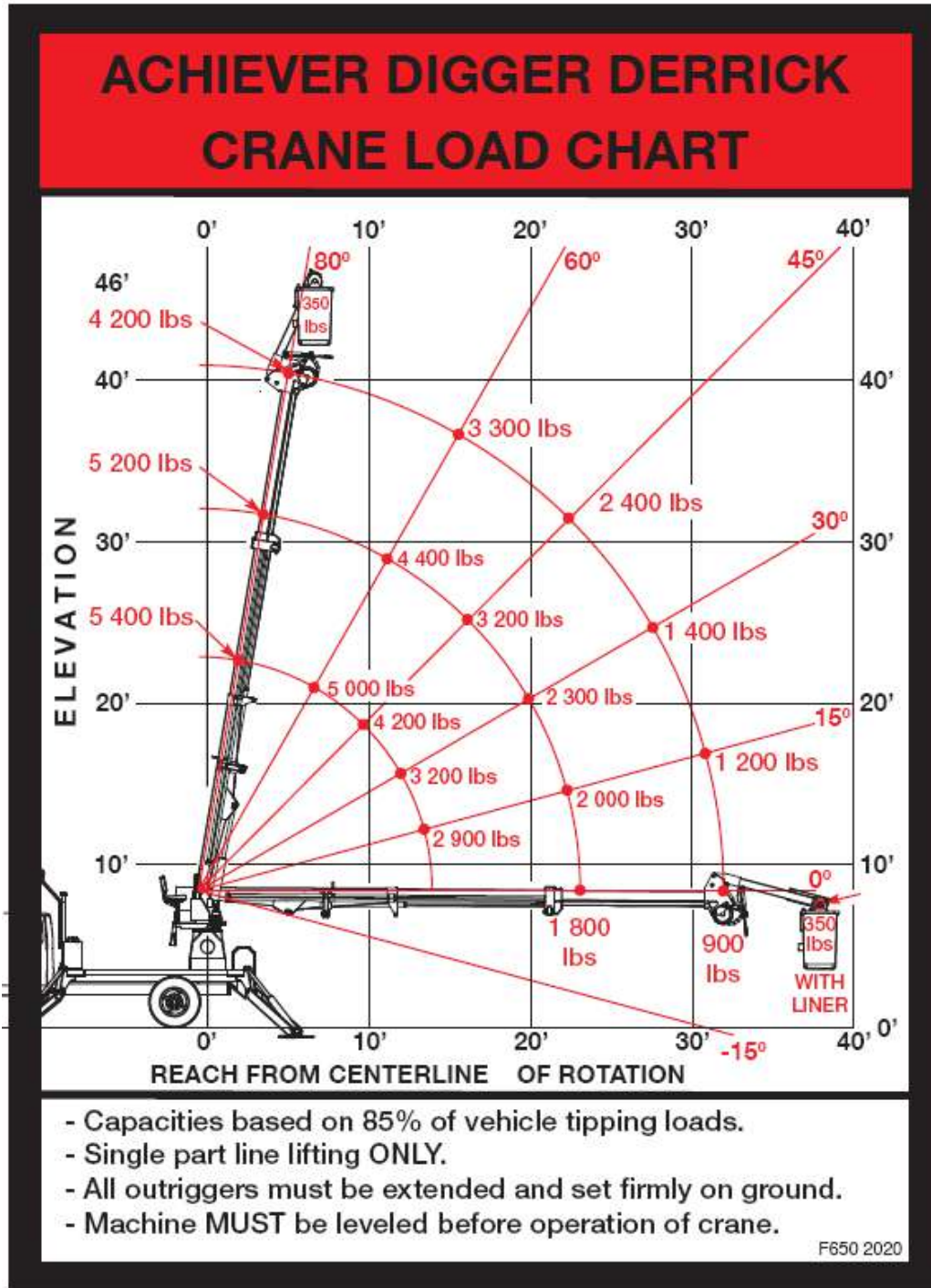


Hercules 5042/46 Digger Derrick/Aerial Lift for Power Line

AVAILABLE DIGGER DERRICK & BOOM OPTIONS Continued

| |
|---|
| Hydraulic oil tank heater with cable & plug |
| Hydraulic oil cooler, 9 kW thermal cooling capacity |
| Steel third boom with hydraulic extension (non insulated) |
| Wireless radio control for engine throttle |
| Wireless radio control for 12v emergency pump activation |
| Tip winch 6,000 lbs (on 3rd boom, insulated), max lift capacity remains 5,000 lbs |
| Bucket cover |
| Clip on tool tray |
| Change two speed auger drive to 10,000 ft lb x9k5 single speed low torque, high rpm auger drive for dirt |
| Change T9 to T12 12,000 ft lb two speed auger drive, 2.5" hex shaft |
| Change auger drive from 2.5 hex dia to 2 5/8" hex dia |
| Auger drive torque reduction switch |
| Hydraulic auger release |
| Electronic foot pedal throttle at boom seat console |
| 16" dirt auger with 2.5" hex diameter |
| 18" dirt auger with 2.5" hex diameter |
| 16" rock auger with 2.5" hex diameter |
| Kentucky rock auger 16" with 2.5" hex diameter |
| Harleman SHCD 2.5 16" rock auger with 2.5" hex diameter |
| 2.5" hex dia solid Kelly Bar 4', 5', 6' or 7'6" long |
| Converting Kelly Bar 2.5" Hex F to 2.625" hex M, 6' long |
| Hydraulic tools outlet on deck with hose reel with twin black hoses 3/8" dia x 30' length, flow control for tamping only. Includes a tamper holding bracket. Boom functions enabled. |
| Change hydraulic tools outlet on deck twin black hoses to twin orange dielectric hoses. |
| Bi-directional flow valve & pressure control (2,000 to 3,000 PSI) for hyd tools outlet on deck for faster pole jacking. Boom functions disabled at 3,000 PSI |
| Hydraulic pole jack with soft ground pad, backing plate |
| Cable grounding reel on deck, spring loaded, 50 ft 1/0 black cable & clamp |
| 72" hydraulic tamper |
| Additional set of manuals |
| Other Options Available on Request |

Hercules 5042/46 Digger Derrick/Aerial Lift for Power Line
Load Chart



UTV INTERNATIONAL

Hercules 5042/46 Digger Derrick/Aerial Lift for Power Line



UTV INTERNATIONAL

Hercules 5042/46 Digger Derrick/Aerial Lift for Power Line



UTV INTERNATIONAL

Hercules 5042/46 Digger Derrick/Aerial Lift for Power Line

