



UTV INTERNATIONAL



Kodiak K6 6 Ton Payload Crawler Carrier Specifications

<u>DIMENSIONS / WEIGHT</u>		<u>FRAME / SUSPENSION</u>	
Overall length	241" with plow and dump box	Type	Corten Welded Tub
Overall width	101" with plow 96" without plow & mirrors	Suspension system:	
Overall height	105"	➤	Patented walking beam with double twin rocker bogey wheel suspension
Fording depth	32"	➤	2 independent idler wheels with oil bath hubs and steel face seals
Ground clearance	18"	➤	2 rear drive sprockets
Weight	13,080 lbs, base vehicle	➤	16 steel wheels, 12" dia
Payload	12,000 lbs, max		
GVWR	28,000 lbs, max		
<u>PERFORMANCE</u>		<u>POWER TRAIN FOR HYDROSTATIC DRIVE</u>	
Maximum speed	8 mph loaded	Transmission	Hydrostatic, 2-speed
Inside turning radius	0 ft	Service Brakes	Positive deceleration through the hydrostatic transmission
Ground pressure (6" penetration)	2.33 PSI unloaded 4.98 PSI loaded	Parking brakes	Multi-Disc, spring applied & pressure released
Maximum gradeability	Static test when loaded		
- Uphill	35° (70%) continuous	<u>ELECTRICAL</u>	
- Side-hill	15° (27%)	Voltage	12 V
Normal driving range	12 hours	(2) batteries, capacity	1,060 CCA
<u>ENGINE</u>		Alternator Capacity	120 Amps
Make	Deutz AG Tier 4	Ground	Negative
Model	TCD 3.6 L4, 4 cylinder Turbo charged diesel	<u>TRACKS</u>	
Horsepower	134 HP at 2,300 RPM	One piece 24" rubber tracks with steel reinforcements	
Torque	369 ft lbs at 1,600 RPM	<u>STEERING</u>	
Displacement	3.6 liters	Independent dual joysticks with cable control for each track	
Fuel capacity	50 gals		
DEF tank	2.6 gals		
Cooling system	4.0 gals		
<u>STANDARD FEATURES</u>			
1-Man open cab ROPS certified		12v primary fuel filter heater, secondary fuel filter with water separator	
Roll Over Protection Structure ISO 3471:2008		Electronic engine protection system	
Vinyl seat with mechanical suspension		Fire extinguisher	
2-point seat belt		Backup alarm and horn	
Full instrumentation, illuminated panel gauge		Driver's side deck ladder	
High powered LED lights: 2 front & 1 rear on cab, 1 strobe on top		1 set of operations, parts & service manuals	
120v block heater, muffler, glow plugs		Standard one-year warranty	

*Specifications subject to change without notice.

Kodiak K6 Crawler Carrier Options & Accessories

Front Vehicle Options

Front bumper & brush guard, tapered at edges to push brush away
2 way medium duty front plow for pushing loose fill
16,500 lbs electric winch with front wiring
Electric winch rear wiring
18,000 lbs hydraulic winch with in cab controls



Kodiak K6 Crawler Carrier Options & Accessories Cont'd

Cab Options

Driver's wire mesh screen (1-man open cab)
Driver's left side wire mesh door and side wall (open cab)
Cab mounted front brush guard for 1-man closed cab
1 Man Closed Cab ROPS certified includes: Aluminum escape hatch Sliding left & right side window Cab heater & circulation fan Front windshield on/off wiper & windshield washer Door with dual locking system
Cab mount front brush guard for 2-man cab (open or closed)
Two Man Open Cab ROPS certified for flatbed deck includes: 2 vinyl mechanical suspension seats with slider with 2 point seat belts, 1 rearview mirror
Two Man Closed Cab ROPS certified for flatbed deck includes: Aluminum escape hatch, 2 vinyl mechanical suspension seats with slider with 2 point seat belts Sliding left & right side window, Cab heater & circulation fan, 1 rearview mirror Front windshield on/off wiper & windshield washer, Door with dual locking system
Steel escape hatch for open or closed cab (adds FOPS certification)
Front windshield intermittent wiper (closed cab)
Steering wheel system (mechanical steering with foot pedals for forward and reverse)
Sun visor
Driver's air suspension seat
Driver's 3 point seat belt
Street side and / or curb side rear view mirror
Street side rear view mirror with electric heating
Back up camera with heated lens and 7" in-cab waterproof display
Premium cab sound and heat Insulation
DC Comfort air conditioning 6,000 BTU/hr, 12v for 1-man cab
Air conditioning 12,000 Btu/hr, 12v for 2-man cab

Lighting Options

2x 120 watts LED light bars for flatbed deck (behind the cab, swiveling, one fixed over engine cover)
1x center rear mounted LED work light
DOT road lighting

Engine & Cold Weather Options

Spark arrestor
12v engine coolant heater, 17,000 Btu with 7 day programmable timer
120v hydraulic oil tank heater
120v battery charger
Synthetic engine oil
Winter bridge & engine cover
Insulated battery box
Coolant battery heater
2x 120v battery heaters
Glycol coolant
Synthetic hydraulic oil
1,800 watt gas powered portable generator / inverter with on deck storage

Kodiak K6 Crawler Carrier Options & Accessories Cont'd

Vehicle Options / Features

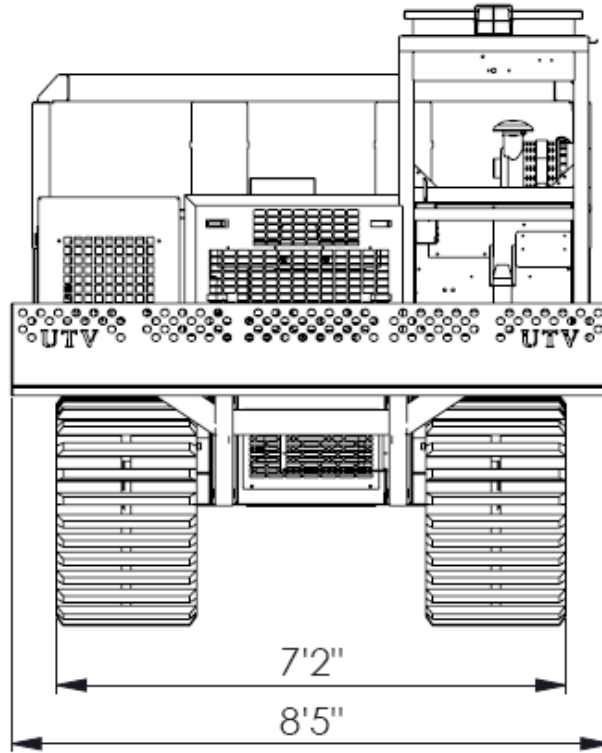
5 cubic yard dump box
Flatbed deck 96"W x 96"L
Tilt 70 degrees for 96"W x 96"L flatbed deck
Flatbed deck 92"W x 108"L
12" wooden side walls on deck (removable)
24" wooden side wall on deck (removable)
Extended flatbed deck 87"W x 121"L with 30" rear wood wall, 4,000 lbs max capacity, departure angle reduced to max 25°
Rear auxilliary 2-way low flow hydraulics, 0-24 GPM, 2,500 psi
Rear auxilliary 2-way low flow hydraulics, 25 GPM, 3,000 psi
Crane, 18 tm, behind the cab, lift: 3,300 lbs at 4' 3", 1,000 lbs at 13' 5", manual control, installed
Crane, 18 tm, behind the cab, lift: 3,300 lbs at 4' 3", 1,000 lbs at 13' 5", remote control, installed
1/2 subframe (open at the front end) with radial rear outriggers attached (suitable for a track drill, digger derrick or aerial mounting)
1/2 subframe (open at the front end) with straight down rear outriggers attached (suitable for a track drill mounting)
Subframe for crane mounting
Pintle hook with rear receptacle
Maintenance kit (high performance filter set for first 100 hour maintenance return & supercharge filters)
Additional set of operations, parts & service manuals

Additional Options

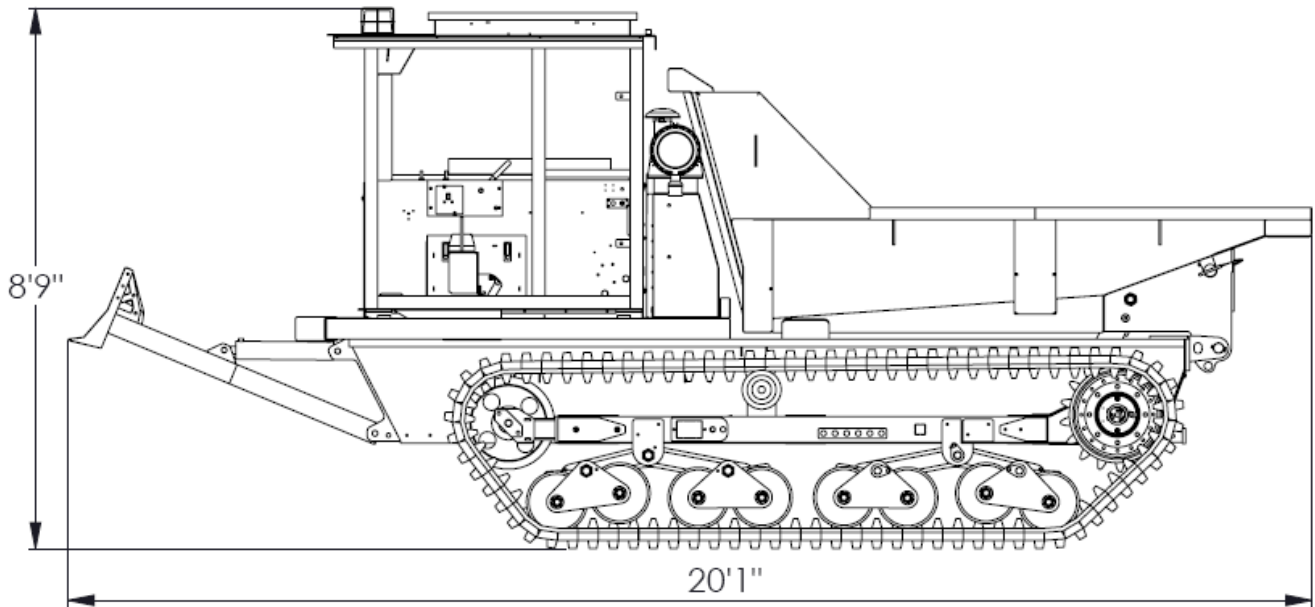
Extra set one piece 24" rubber tracks with steel reinforcements (shipped loose)
One days on site operations and maintenance training
Recommended spare parts for remote operations

Other options available upon request

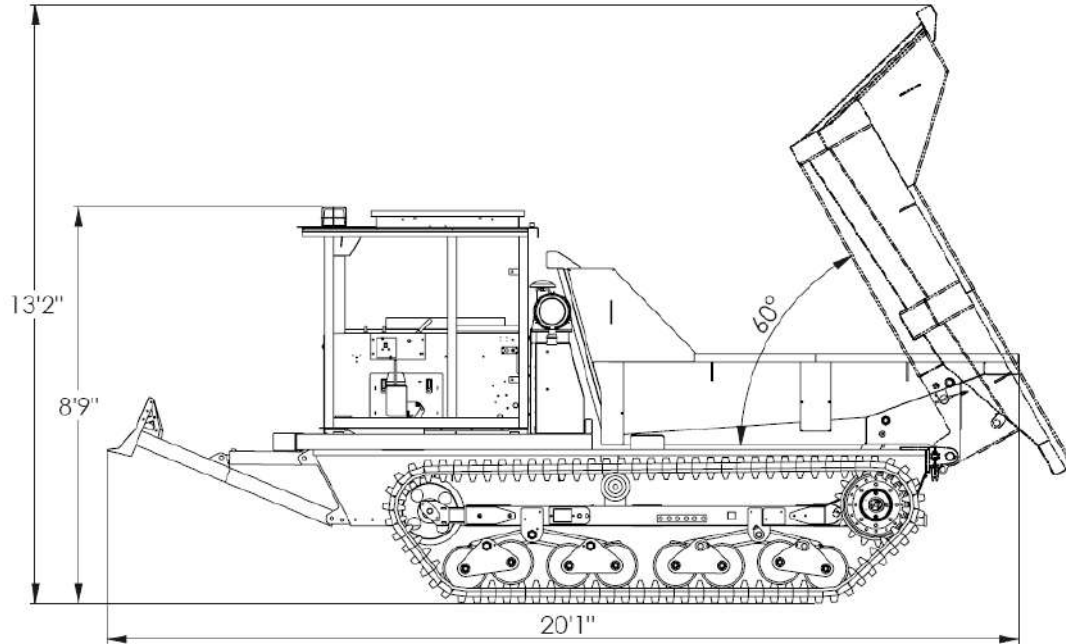
Kodiak K6 Crawler Carrier Dimensions



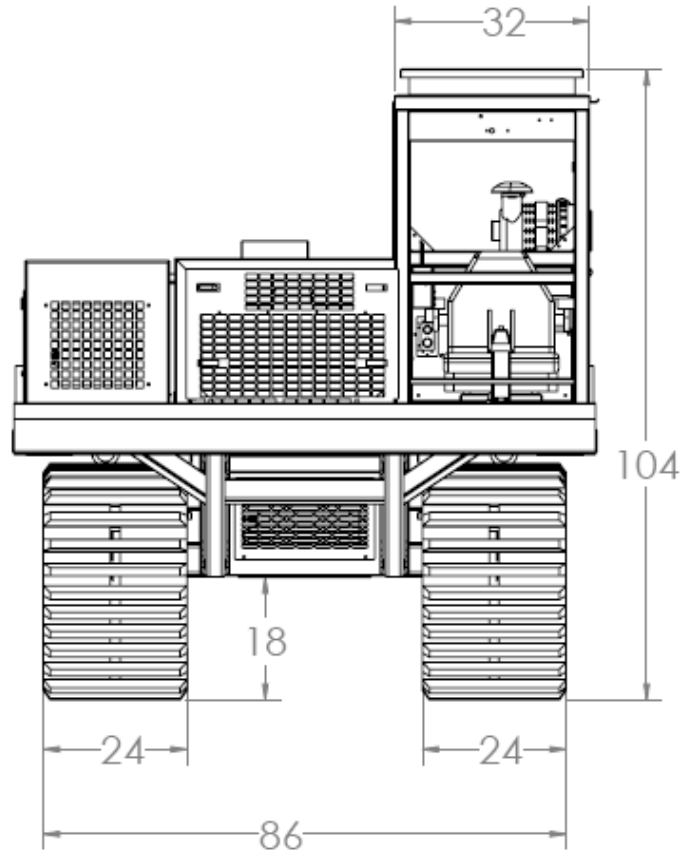
Kodiak K6 Crawler Carrier Dimensions



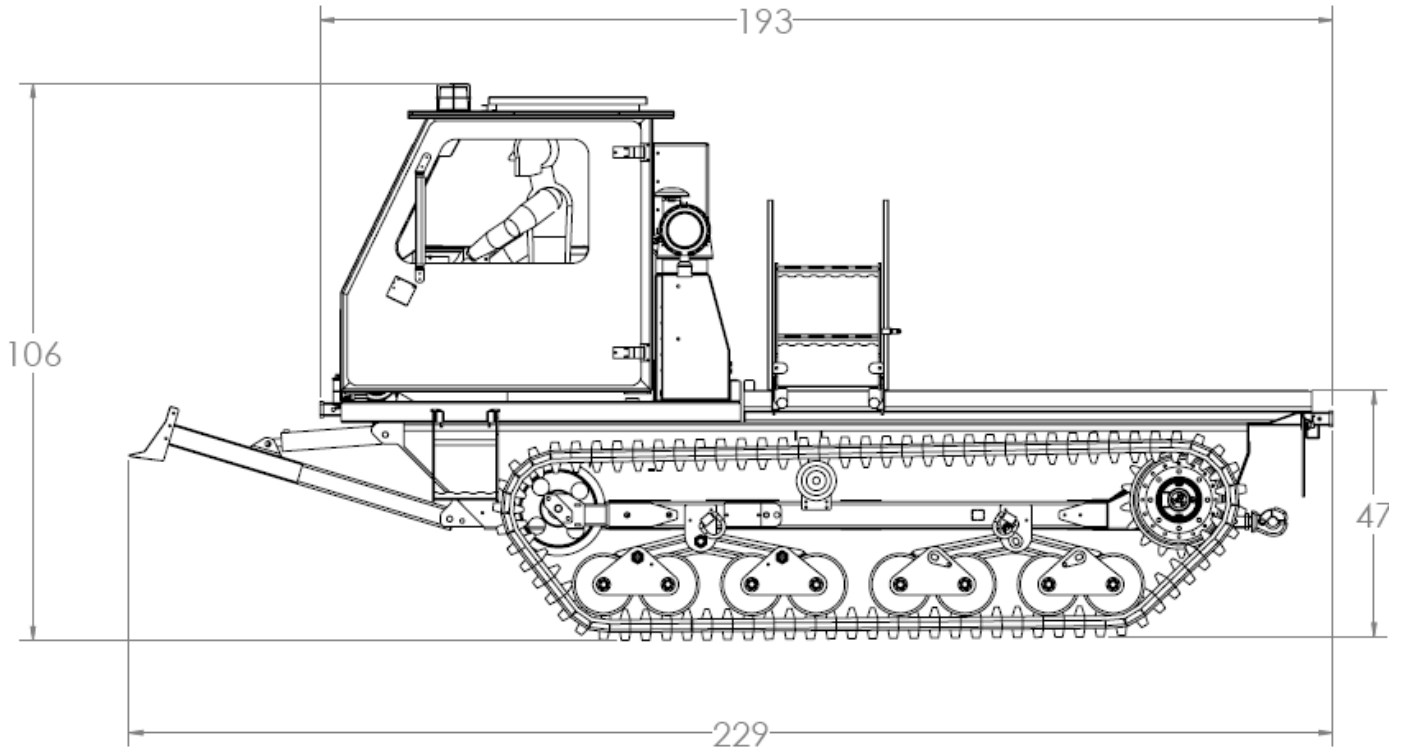
Kodiak K6 Crawler Carrier Dimensions



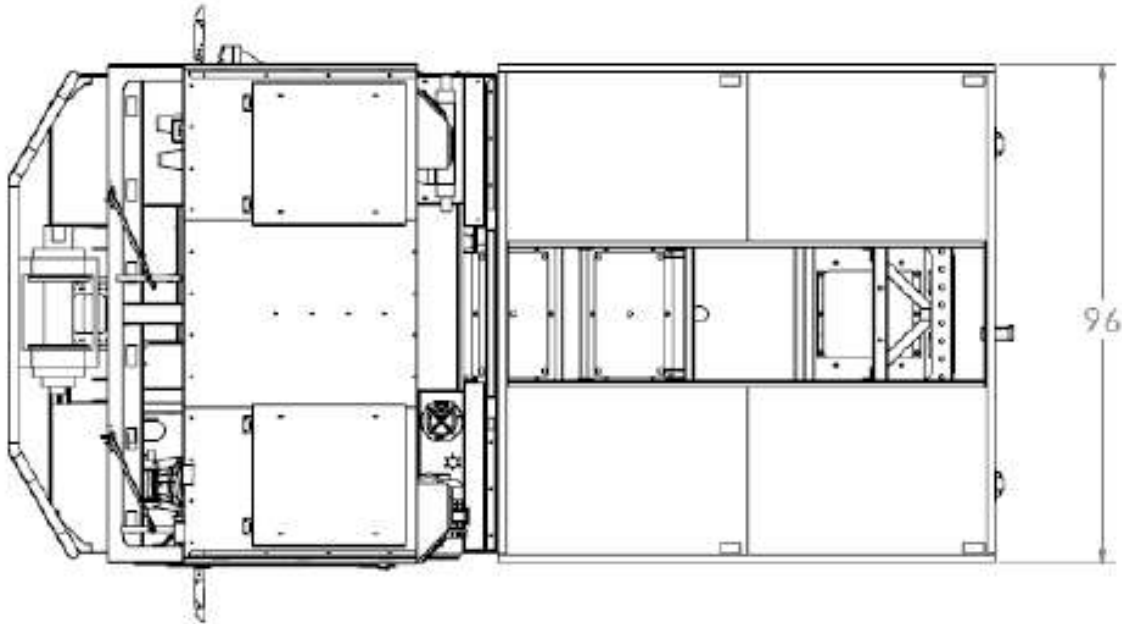
Kodiak K6 Crawler Carrier Flatbed Dimensions



Kodiak K6 Crawler Carrier Flatbed Dimensions for 2 Man Cab



Kodiak K6 Crawler Carrier Flatbed Dimensions for 2-Man Cab



Kodiak K6 Crawler Carrier Flatbed Deck



Kodiak K6 Crawler Carrier Flatbed Deck

