



UTV INTERNATIONAL



Kodiak K6 6 Ton Payload Crawler Carrier Specifications

<u>DIMENSIONS / WEIGHT</u>		<u>FRAME / SUSPENSION</u>	
Overall length	241" with plow and dump box	Type	Corten Welded Tub
Overall width	101" with plow 96" without plow & mirrors	Suspension system:	
Overall height	105"	➤	Patented walking beam with double twin rocker bogey wheel suspension
Fording depth	32"	➤	2 independent idler wheels with oil bath hubs and steel face seals
Ground clearance	18"	➤	2 rear drive sprockets
Weight	13,080 lbs, base vehicle	➤	16 steel wheels, 12" dia
Payload	12,000 lbs, max		
GVWR	28,000 lbs, max		
<u>PERFORMANCE</u>		<u>POWER TRAIN FOR HYDROSTATIC DRIVE</u>	
Maximum speed	8 mph loaded	Transmission	Hydrostatic, 2-speed
Inside turning radius	0 ft	Service Brakes	Positive deceleration through the hydrostatic transmission
Ground pressure (6" penetration)	2.33 PSI unloaded 4.98 PSI loaded	Parking brakes	Multi-Disc, spring applied & pressure released
Maximum gradeability	Static test when loaded		
- Uphill	35° (70%) continuous	<u>ELECTRICAL</u>	
- Side-hill	15° (27%)	Voltage	12 V
Normal driving range	12 hours	(2) batteries, capacity	1,060 CCA
		Alternator Capacity	120 Amps
		Ground	Negative
<u>ENGINE</u>		<u>TRACKS</u>	
Make	Deutz AG Tier 4	One piece 24" rubber tracks with steel reinforcements	
Model	TCD 3.6 L4, 4 cylinder Turbo charged diesel	<u>TRACK TENSIONING</u>	
Horsepower	134 HP at 2,300 RPM	Active track tensioning system maintains track tension while negotiating variable terrain	
Torque	369 ft lbs at 1,600 RPM	<u>STEERING</u>	
Displacement	3.6 liters	Independent dual joysticks with cable control for each track	
Fuel capacity	50 gals		
DEF tank	2.6 gals		
Cooling system	4.0 gals		
<u>STANDARD FEATURES</u>			
1-Man open cab ROPS certified		12v primary fuel filter heater, secondary fuel filter with water separator	
Roll Over Protection Structure ISO 3471:2008		Electronic engine protection system	
Vinyl seat with mechanical suspension		Hydraulic oil cooler	
2-point seat belt		Fire extinguisher	
Full instrumentation, illuminated panel gauge		Backup alarm and horn	
High powered LED lights: 2 front & 1 rear on cab, 1 strobe on top		Driver's side deck ladder	
120v block heater, muffler, glow plugs		1 set of operations, parts & service manuals	
		Standard one-year warranty	

*Specifications subject to change without notice.

Kodiak K6 Crawler Carrier Options & Accessories

Front Vehicle Options

Heavy duty lower front brush guard with skid plate
2 way medium duty front plow for pushing loose fill
2 way medium duty front plow ready
16,500 lbs electric winch with front wiring & remote control with 12 ft lead
Electric winch rear wiring



Kodiak K6 Crawler Carrier Options & Accessories Cont'd Front Vehicle Options continued

18,000 lbs hydraulic winch with in cab controls

Cab Options

Driver's wire mesh screen (1-man open cab)
--

Driver's left side wire mesh door and side wall (open cab)
--

Cab mounted front brush guard for 1-man closed cab
--

1 Man Closed Cab ROPS certified includes:
--

- | |
|---|
| Aluminum escape hatch |
| Sliding left & right side window |
| Cab heater & circulation fan |
| Front windshield on/off wiper & windshield washer |
| Door with dual locking system |

Cab mount front brush guard for 2-man cab (open or closed)
--

Two Man Open Cab ROPS certified for flatbed deck includes:

- | |
|--|
| 2 vinyl mechanical suspension seats with slider with 2 point seat belts, 1 rearview mirror |
|--|

Two Man Closed Cab ROPS certified for flatbed deck includes:

- | |
|--|
| Aluminum escape hatch, 2 vinyl mechanical suspension seats with slider with 2 point seat belts |
| Sliding left & right side window, Cab heater & circulation fan, 1 rearview mirror |
| Front windshield on/off wiper & windshield washer, Door with dual locking system |

Steel escape hatch for open or closed cab (adds FOPS certification)

Front windshield intermittent wiper (closed cab)
--

Steering wheel system (mechanical steering with foot pedals for forward and reverse)
--

Sun visor

Driver's air suspension seat

Driver's 3 point seat belt

Street side and / or curb side rear view mirror

Street side rear view mirror with electric heating
--

Back up camera with heated lens and 7" in-cab waterproof display
--

Premium cab sound and heat Insulation

DC Comfort air conditioning 6,000 BTU/hr, 12v for 1-man cab

Air conditioning 12,000 Btu/hr, 12v for 2-man cab

Lighting Options

2x 120 watts LED light bars for flatbed deck (behind the cab, swiveling, one fixed over engine cover)

1x center rear mounted LED work light

DOT road lighting

Engine & Cold Weather Options

Spark arrestor

12v engine coolant heater, 17,000 Btu with 7 day programmable timer

120v hydraulic oil tank heater

ISO 22 biodegradable hydraulic oil

120v battery charger

Synthetic engine oil

Winter bridge & engine cover

Insulated battery box

Coolant battery heater

2x 120v battery heaters

Glycol coolant

Kodiak K6 Crawler Carrier Options & Accessories Cont'd Engine & Cold Weather Options continued

Synthetic hydraulic oil
1,800 watt gas powered portable generator / inverter with on deck storage

Vehicle Options / Features

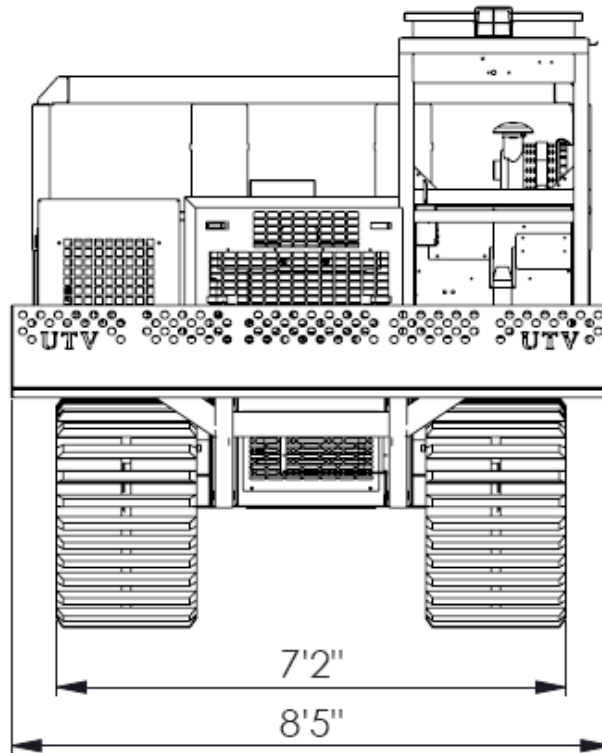
5 cubic yard dump box
Flatbed deck 96"W x 96"L
Removable 11ga steel side panels for flatbed deck w/six anchor points
Flatbed deck 96"W x 96"L with tilt 70 degrees
Electric winch (transportable) position with wiring for 70° flatbed deck
Flatbed deck 92"W x 108"L
Three-point grab handles for deck/cab access
Non slip coating on deck
12" wooden side walls on deck (removable)
24" wooden side wall on deck (removable)
Extended flatbed deck 87"W x 121"L with 30" rear wood wall, 4,000 lbs max capacity, departure angle reduced to max 25°
Rear auxilliary 2-way low flow hydraulics, 0-24 GPM, 2,500 psi
Rear auxilliary 2-way low flow hydraulics, 25 GPM, 3,000 psi
Crane, 18 tm, behind the cab, lift: 3,300 lbs at 4' 3", 1,000 lbs at 13' 5", manual control, installed
Crane, 18 tm, behind the cab, lift: 3,300 lbs at 4' 3", 1,000 lbs at 13' 5", remote control, installed
X-044 D-2 CLX Crane, behind the cab, lift: 3,790 lbs at 7' 3", 1,230 lbs at 20' 4", manual control, installed w/subframe, pump & wiring
X-044 D-2 CLX Crane, behind the cab, lift: 3,790 lbs at 7' 3", 1,230 lbs at 20' 4", radio control, installed w/subframe, pump & wiring
1/2 subframe (open at the front end) with radial rear outriggers attached (suitable for a track drill, digger derrick or aerial mounting)
1/2 subframe (open at the front end) with straight down rear outriggers attached (suitable for a track drill mounting)
Subframe for crane mounting
Pintle hook with rear receptacle
Maintenance kit (high performance filter set for first 100 hour maintenance return & supercharge filters)
Additional set of operations, parts & service manuals

Additional Options

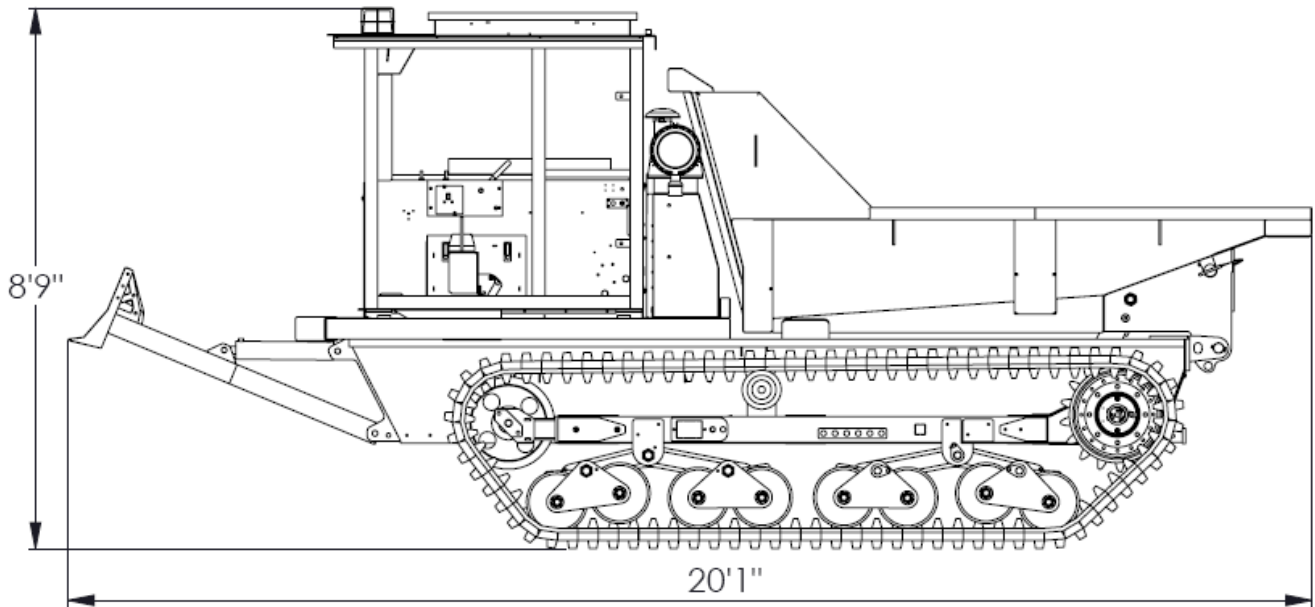
Extra set one piece 24" rubber tracks with steel reinforcements (shipped loose)
One days on site operations and maintenance training
Recommended spare parts for remote operations

Other options available upon request

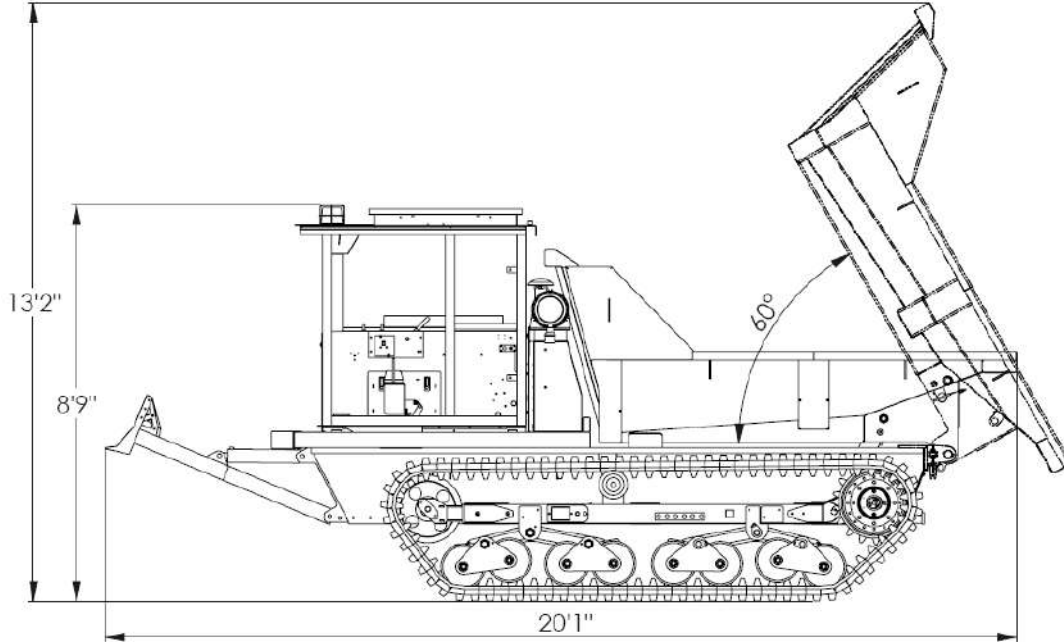
Kodiak K6 Crawler Carrier Dimensions



Kodiak K6 Crawler Carrier Dimensions

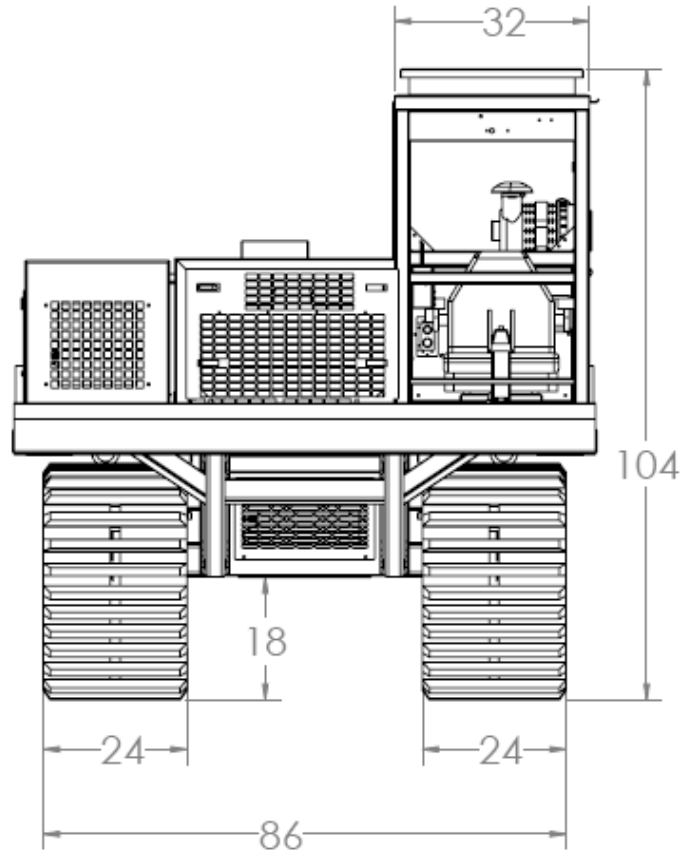


Kodiak K6 Crawler Carrier Dimensions

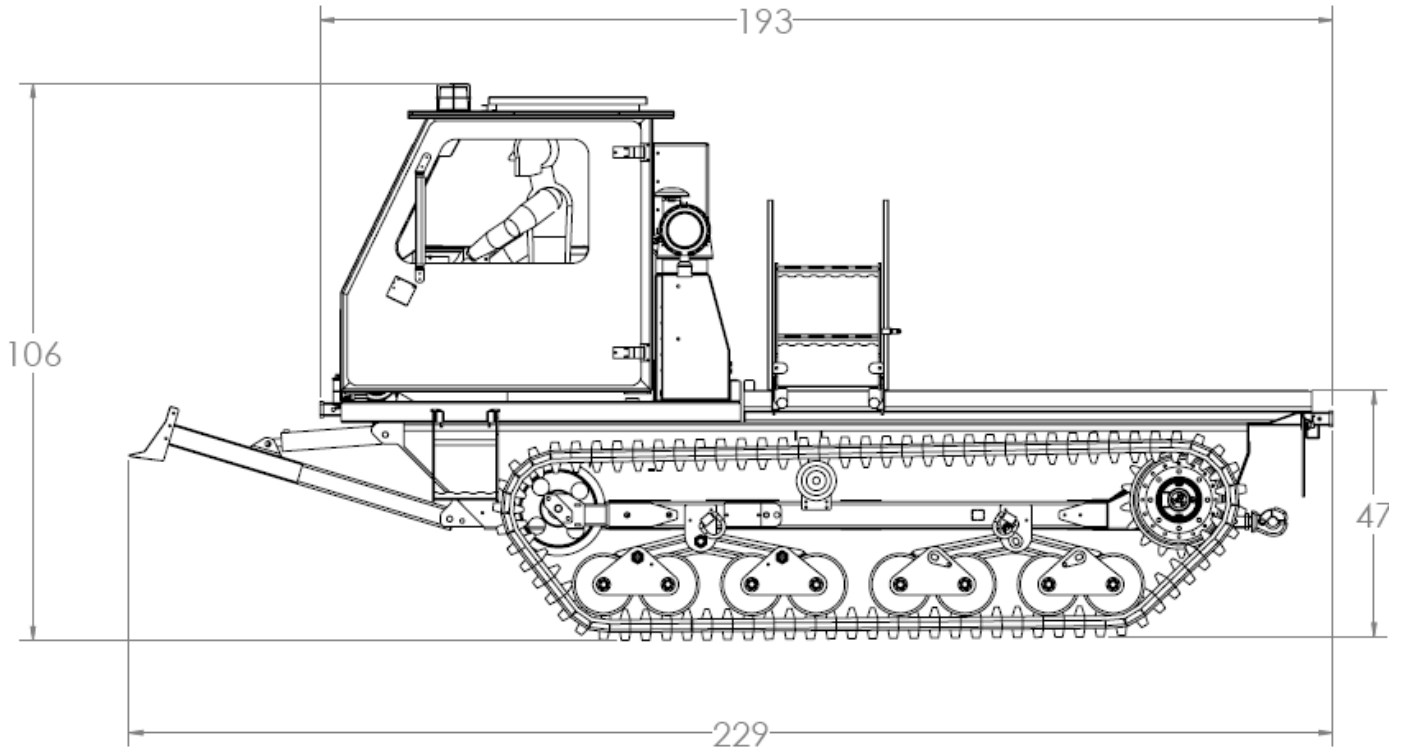


UTV INTERNATIONAL

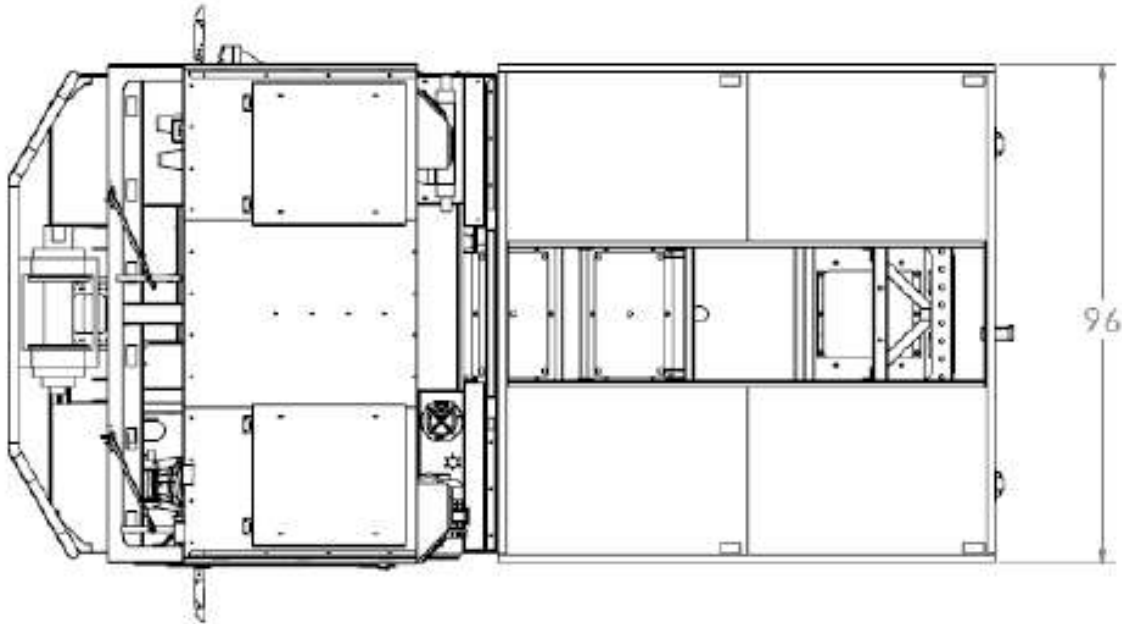
Kodiak K6 Crawler Carrier Flatbed Dimensions



Kodiak K6 Crawler Carrier Flatbed Dimensions for 2 Man Cab



Kodiak K6 Crawler Carrier Flatbed Dimensions for 2-Man Cab



Kodiak K6 Crawler Carrier Flatbed Deck



Some Kodiak K6 Crawler Carrier Configurations

