



UTV INTERNATIONAL



Kodiak K6 6 Ton Payload Crawler Carrier Specifications

<p><u>DIMENSIONS / WEIGHT</u></p> <p>Overall length 241" with plow and dump box Overall width 101" with plow 96" without plow & mirrors Overall height 105" Ground clearance 18" Weight 12,500 lbs, bare carrier Payload 12,000 lbs GVWR 28,000 lbs, max</p> <p><u>PERFORMANCE</u></p> <p>Maximum speed 8 mph loaded Inside turning radius 0 ft Ground pressure 2.23 PSI unloaded 4.63 PSI loaded (6" penetration) Maximum gradeability Static test when loaded - Uphill 35° (70%) continuous - Side-hill 15° (27%) Normal driving range 12 hours</p> <p><u>ENGINE</u></p> <p>Make Deutz AG Tier 4 Model TCD 3.6 L4, 4 cylinder Turbo charged diesel Horsepower 134 HP at 2,300 RPM Torque 369 ft lbs at 1,600 RPM Displacement 3.6 liters Fuel capacity 50 gals DEF tank 2.6 gals Cooling system 4.0 gals</p>		<p><u>FRAME / SUSPENSION</u></p> <p>Type Corten Welded Tub</p> <p>Suspension system:</p> <ul style="list-style-type: none"> ➤ Patented walking beam with double twin rocker bogey wheel suspension ➤ 2 independent idler wheels with oil bath hubs and steel face seals ➤ 2 rear drive sprockets ➤ 16 steel wheels, 12" dia <p><u>POWER TRAIN FOR HYDROSTATIC DRIVE</u></p> <p>Transmission Hydrostatic, 2-speed Service Brakes Positive deceleration through the hydrostatic transmission Parking brakes Multi-Disc, spring applied & pressure released</p> <p><u>ELECTRICAL</u></p> <p>Voltage 12 V (2) batteries, capacity 1,060 CCA Alternator Capacity 120 Amps Ground Negative</p> <p><u>TRACKS</u></p> <p>One piece 24" rubber tracks with steel reinforcements</p> <p><u>STEERING</u></p> <p>Independent dual joysticks with cable control for each track</p>	
<p><u>STANDARD FEATURES</u></p>			
<p>1-Man open cab ROPS certified Roll Over Protection Structure ISO 3471:2008 Vinyl seat with mechanical suspension 2-point seat belt Full instrumentation, illuminated panel gauge High powered LED lights: 2 front & 1 rear on cab, 1 strobe on top 120v block heater, muffler, glow plugs</p>		<p>12v primary fuel filter heater, secondary fuel filter with water separator Electronic engine protection system Fire extinguisher Backup alarm and horn Driver's side deck ladder 1 set of operations, parts & service manuals Standard one-year warranty</p>	

*Specifications subject to change without notice.

Kodiak K6 Crawler Carrier Options & Accessories

Front Vehicle Options

Front bumper & brush guard, tapered at edges to push brush away
2 way medium duty front plow for pushing loose fill
16,500 lbs electric winch
18,000 lbs hydraulic winch with in cab controls



Kodiak K6 Crawler Carrier Options & Accessories Cont'd Cab Options

Driver's wire mesh screen (1-man open cab)
Driver's left side wire mesh door and side wall (open cab)
Steel escape hatch for open or closed cab (adds FOPS certification)
Cab mounted front brush guard for 1-man closed cab
1 Man Closed Cab ROPS certified includes: Aluminum escape hatch Sliding left & right side window Cab heater & circulation fan Front windshield on/off wiper & windshield washer Door with dual locking system
Cab mount front brush guard for 2-man cab (open or closed)
Two Man Open Cab ROPS certified for flatbed deck includes: 2 vinyl mechanical suspension seats with slider with 2 point seat belts, 1 rearview mirror
Two Man Closed Cab ROPS certified for flatbed deck includes: Aluminum escape hatch, 2 vinyl mechanical suspension seats with slider with 2 point seat belts Sliding left & right side window, Cab heater & circulation fan, 1 rearview mirror Front windshield on/off wiper & windshield washer, Door with dual locking system
Front windshield intermittent wiper (closed cab)
Steering wheel system (mechanical steering with foot pedals for forward and reverse)
Driver's 3 point seat belt
Sun visor
Premium cab sound and heat Insulation
Street side and / or curb side rear view mirror
Street side rear view mirror with electric heating
Back up camera with heated lens and 7" in-cab waterproof display
DC Comfort air conditioning 6,000 BTU/hr, 12v for 1-man cab
Air conditioning 12,000 Btu/hr, 12v for 2-man cab

Lighting Options

2x 120 watts LED light bars for flatbed deck (behind the cab, swiveling, one fixed over engine cover)
DOT road lighting

Engine & Cold Weather Options

Spark arrestor
120v hydraulic oil tank heater
120v battery charger
Synthetic engine & ISO 22 hydraulic oil
12v engine coolant heater, 17,000 Btu with 7 day programmable timer
Winter bridge & engine cover
Extreme cold package for operations to -40 deg F/-40 deg C External Power Available includes: 120v battery blanket heaters, insulated battery box, glycol coolant, synthetic engine & hydraulic oil
Extreme cold package for operations to -40 deg F/-40 deg C No external Power Available includes: 12v engine coolant heater, coolant battery heater, insulated battery box, glycol coolant, synthetic engine & hydraulic oil
2x 120v battery heaters

Kodiak K6 Crawler Carrier Options & Accessories Cont'd

Engine & Cold Weather Options continued

1,800 watt gas powered portable generator / inverter with on deck storage
Optional Engine: JCB Power Systems Ecomax 448 TA4 Tier 4, 4 cylinder diesel, 4.8L displacement, 173 HP horsepower at 2,050 RPM, 492 ft/lbs torque at 1,500 RPM

Vehicle Options / Features

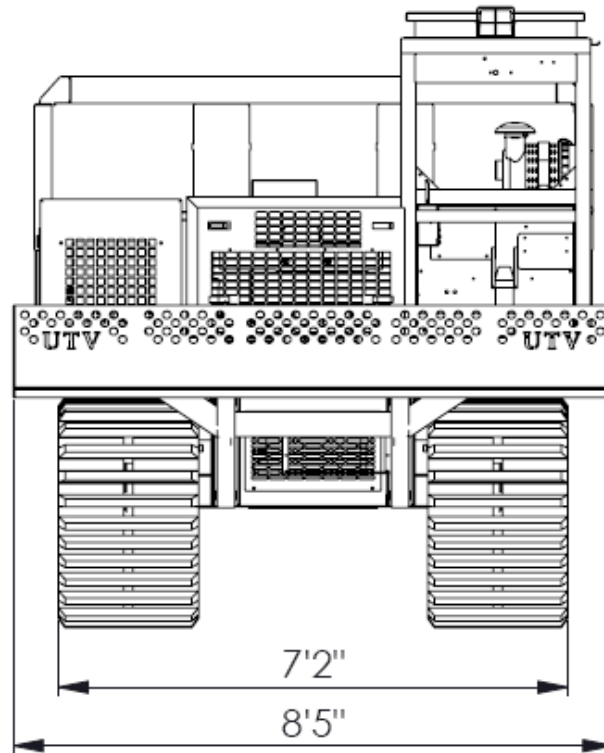
5 cubic yard dump box
Flatbed deck 110"L x 96"W for 1-man cab
Flatbed deck 96"L x 96"W for 2-man cab
Rear auxilliary 2-way low flow hydraulics, 0-24 GPM, 2,500 psi
Rear auxilliary 2-way low flow hydraulics, 25 GPM, 3,000 psi
Crane, 18 tm, behind the cab, lift: 3,300 lbs at 4' 3", 1,000 lbs at 13' 5", manual control, installed
Crane, 18 tm, behind the cab, lift: 3,300 lbs at 4' 3", 1,000 lbs at 13' 5", remote control, installed
1/2 subframe (open at the front end) with radial rear outriggers attached (suitable for a track drill, digger derrick or aerial mounting)
1/2 subframe (open at the front end) with straight down rear outriggers attached (suitable for a track drill mounting)
Subframe for crane mounting
Pintle hook with rear receptacle
Maintenance kit (high performance filter set for first 100 hour maintenance return & supercharge filters)
Additional set of operations, parts & service manuals

Additional Options

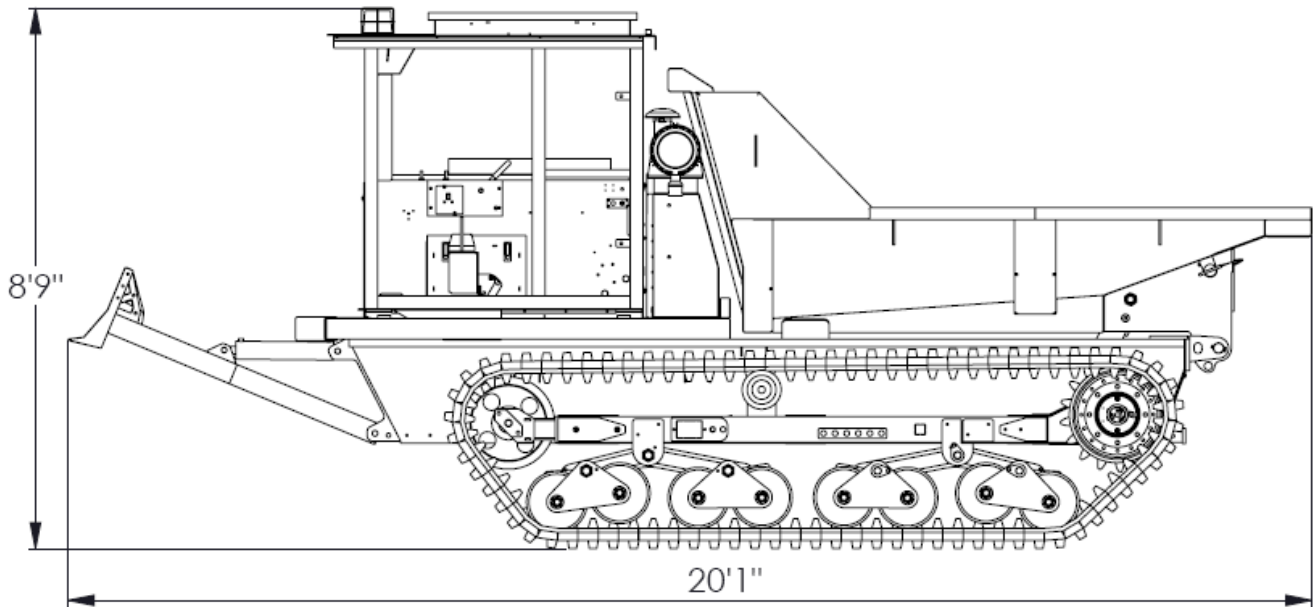
Extra set one piece 24" rubber tracks with steel reinforcements (shipped loose)
One days on site operations and maintenance training
Recommended spare parts for remote operations

Other options available upon request

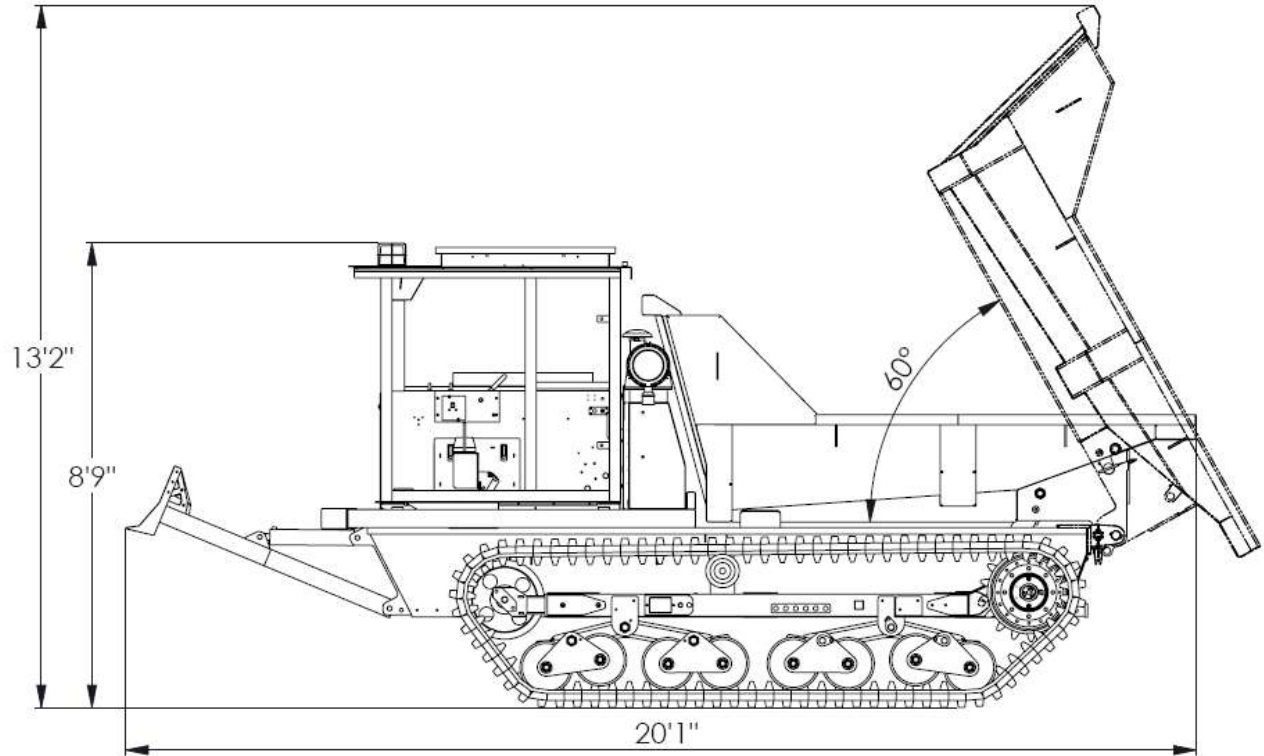
Kodiak K6 Crawler Carrier Dimensions



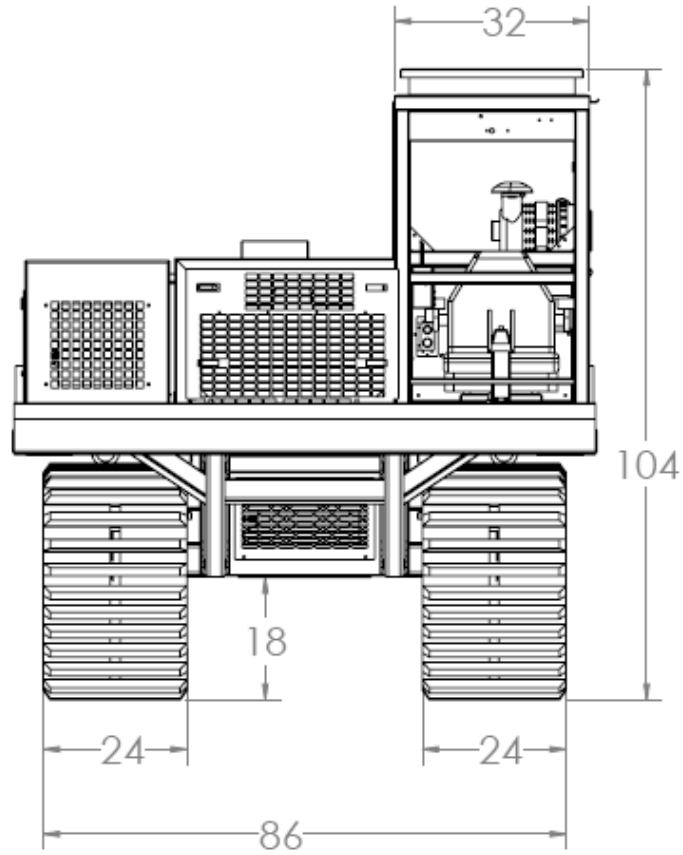
Kodiak K6 Crawler Carrier Dimensions



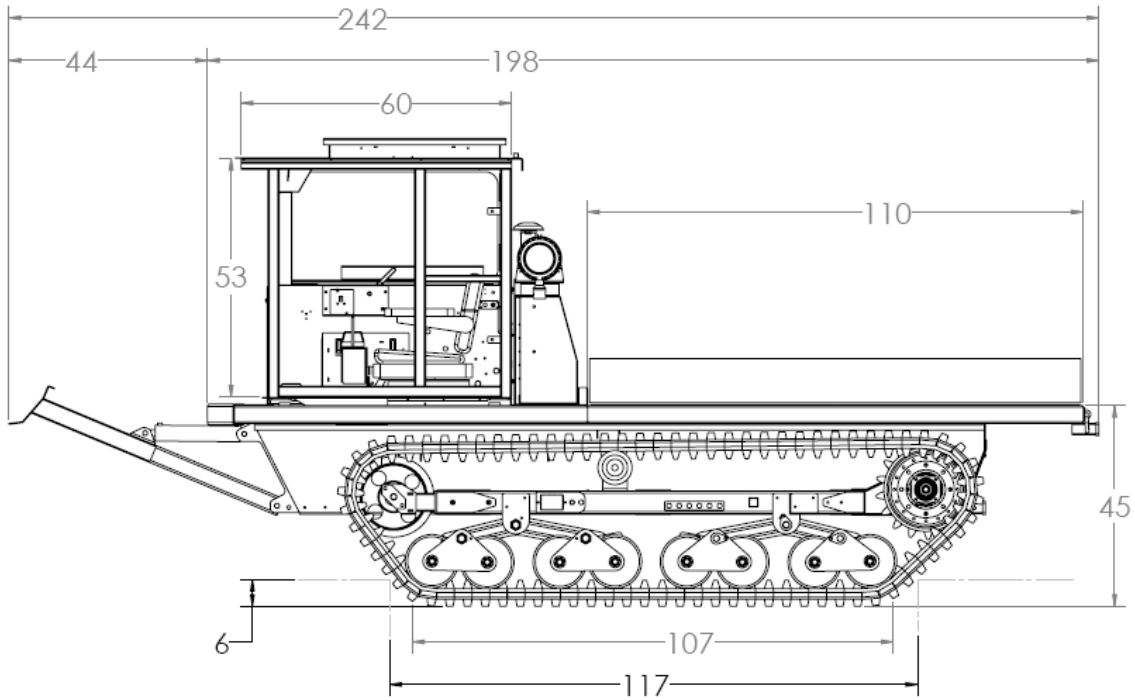
Kodiak K6 Crawler Carrier Dimensions



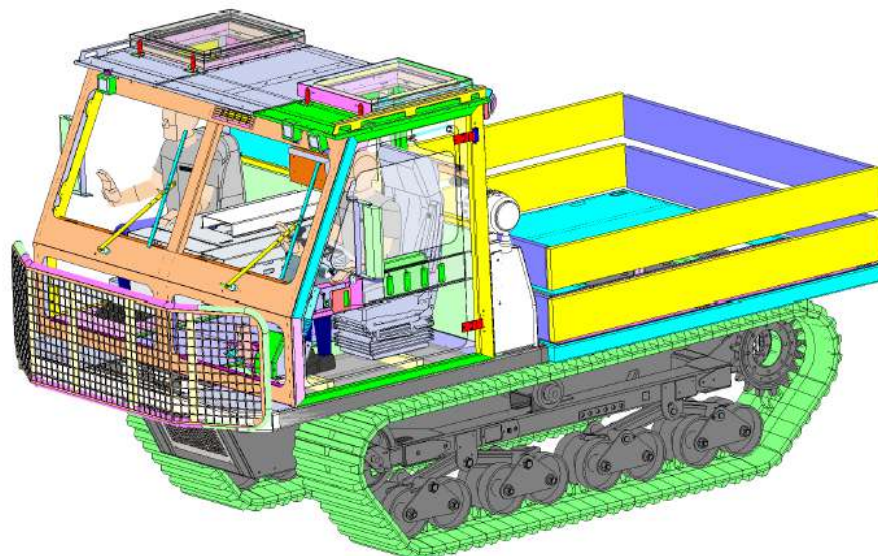
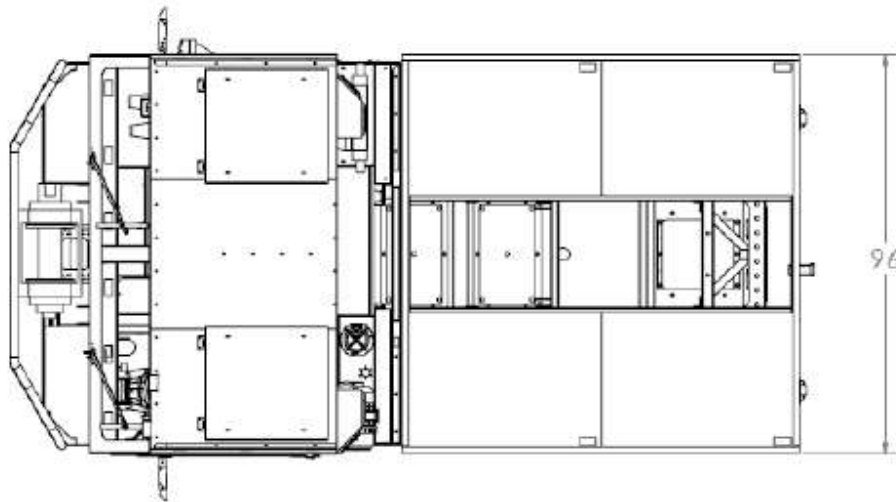
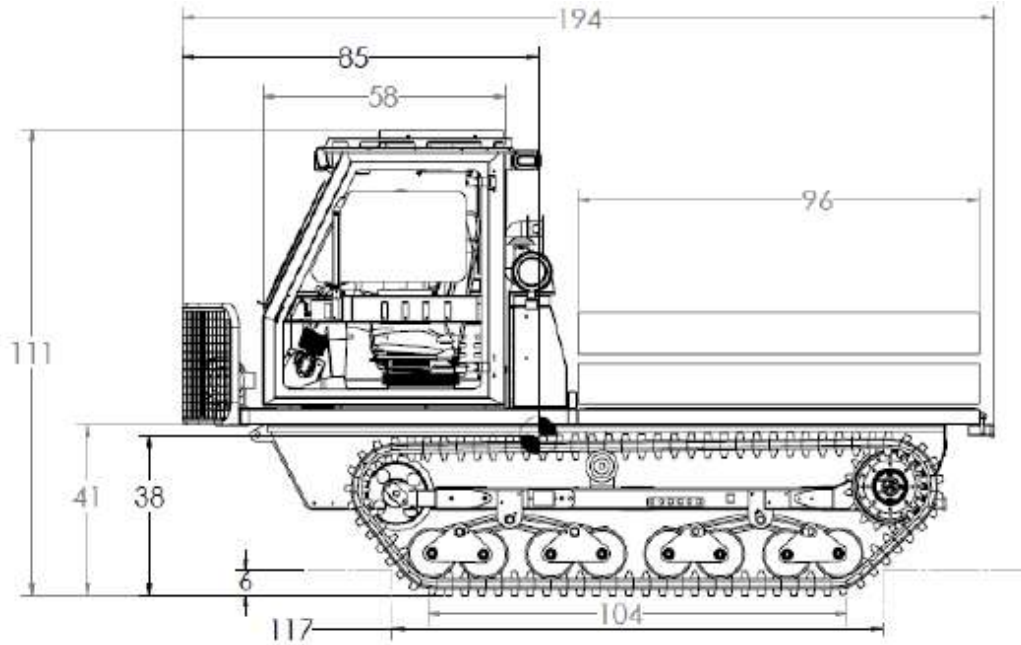
Kodiak K6 Crawler Carrier Flatbed Dimensions



Kodiak K6 Crawler Carrier Flatbed Dimensions for 1-Man Cab



Kodiak K6 Crawler Carrier Flatbed Dimensions for 2-Man Cab



Kodiak K6 Crawler Carrier Flatbed Deck



Kodiak K6 Crawler Carrier Flatbed Deck

