



UTV INTERNATIONAL



KODIAK K6 TFFV TRACKED FIREFIGHTING VEHICLE FIRE PACKAGE SKID SYSTEM OPTIONS

Skid System Engine:	Gasoline powered - standard	
	Diesel powered - option upon request	
Low Pressure System:	23 HP engine, 500 gallon water tank, Integrated 10 gallon foam cell Water pump: low pressure centrifugal Foam system; eductor type .1-3% Hose reel: 1" high pressure hose reel x 100' Nozzle: manually operated low pressure pistol grip style fog nozzle Pump control panel with LED 12 volt light Drafting capable	
	Low pressure/high volume flow rates:	274 GPM at 50 psi 220 GPM at 100 psi 112 GPM at 150 psi
Low Pressure System with CAFS:	31 HP engine, 500 gallon water tank, Integrated 10 gallon foam cell Water pump: single-stage centrifugal: 250 gpm at 40 psi 120 gpm at 100 psi Electric rewind reel 100' X 1" with smooth bore nozzle Pump control panel with LED 12 volt light Performance: 120 gpm & 50 cfm at 100 psi Drafting capable	
Switchable High Pressure/Ultra-High Pressure System:	35 HP engine, 500 gallon water tank, Integrated 10 gallon foam cell Class A foam eductor UHPS Electric hose reel ultra high pressure ¾" x 200' Water pump: high pressure positive displacement piston Nozzle: manually operated pistol grip high pressure Ultra high pressure nozzle: one 20 gpm wand fog nozzle Pump control panel with LED 12 volt light High pressure output: 25 gpm at 700 psi Ultra-High Pressure output: 20 gpm at 1,400 psi Drafting capable	
Ultra High Pressure Pyrolance System (HY/LO):	35 HP engine, 500 gallon water tank, Integrated 10 gallon foam cell Two independent pumps Class A foam eductor UHPS Ultra-high pressure electric hose reel and attack hose Water pump: high pressure positive displacement piston Nozzle: manually operated pistol grip high pressure Ultra high pressure nozzle: one 20 gpm wand fog nozzle Pump control panel with LED 12 volt light HY characteristics: (Outputs #1 & #2 selectable via electric switch when valve on HY mode.) Output #1: 20 gpm @ 1400 psi Output #2: 25 gpm @ 700 psi Hose: 0.75" (3/4") diameter, rigid, on reel, 200' length (quick-connect extensions avail) LO characteristics: (Output #3 selectable via setting mechanical valve to LO mode.) Output #3: 100 gpm @ 100 psi Hose: 1.5" diameter, flat-lay, 200' length Drafting capable	
Note: The four packages above are baseline packages, substitutions may be possible, call for details.		
Water Tank	Change 500 gallon to 250 gallon water tank	
GFS 75 Terra Torch	12-volt GFS GelGun, 20-foot GelHose system, 12-volt enclosed control box, Honda GX160-LX2 gas motor	





UTV INTERNATIONAL



KODIAK K6 TFFV TRACKED FIREFIGHTING VEHICLE CARRIER SPECIFICATIONS

DIMENSIONS / WEIGHT

Overall length	184" without plow 242" with plow
Overall width	101" with plow 96" without plow & mirrors
Overall height	105"
Ground clearance	18"
Weight	14,000 lbs
Payload	12,000 lbs
GVWR	28,000 lbs

PERFORMANCE

Maximum speed	8 mph loaded
Inside turning radius	0 ft
Ground pressure	2.49 PSI unloaded
(6" penetration)	4.36 PSI loaded
Maximum gradeability	Static test when loaded
- Uphill	35° (70%) continuous
- Side-hill	15° (27%)
Normal driving range	12 hours

ENGINE

Make	Deutz AG Tier 4
Model	TCD 3.6 L4, 4 cylinder Turbo charged diesel
Horsepower	134 HP at 2,300 RPM
Torque	369 ft lbs at 1,600 RPM
Displacement	3.6 liters
Fuel capacity	50 gals
DEF tank	2.6 gals
Cooling system	4.0 gals

FRAME / SUSPENSION

Type Corten Welded Tub

Suspension system:

- Patented walking beam with double twin rocker bogey wheel suspension
- 2 independent idler wheels with oil bath hubs and steel face seals
- 2 rear drive sprockets
- 16 steel wheels, 12" dia

POWER TRAIN FOR HYDROSTATIC DRIVE

Transmission	Hydrostatic, 2-speed
Service Brakes	Positive deceleration through the hydrostatic transmission
Parking brakes	Multi-Disc, spring applied & pressure released

ELECTRICAL

Voltage	12 V
(2) batteries, capacity	1,060 CCA
Alternator capacity	120 Amps
Ground	Negative

TRACKS

One piece 24" rubber tracks with steel reinforcements

STEERING

Independent dual joysticks with cable control for each track

STANDARD FEATURES

1-Man open cab ROPS certified	12v primary fuel filter heater, secondary fuel filter with water separator
Roll Over Protection Structure ISO 3471:2008	Electronic engine protection system
Vinyl seat with mechanical suspension	Fire extinguisher
2-point seat belt	Backup alarm and horn
Full instrumentation, illuminated panel gauge	Driver's side deck ladder
High powered LED lights: 2 front & 1 rear on cab, 1 strobe on top	1 set of operations, parts & service manuals
120v block heater, muffler, glow plugs	Standard one-year warranty

*Specifications subject to change without notice.

KODIAK K6 TFFV CRAWLER CARRIER OPTIONS & ACCESSORIES

Front Vehicle Options

Front bumper & brush guard, tapered at edges to push brush away

2 way medium duty front plow for pushing loose fill

16,500 lbs electric winch

18,000 lbs hydraulic winch with in cab controls



KODIAK K6 TFFV CRAWLER CARRIER OPTIONS & ACCESSORIES Cont'd

Cab Options

Driver's wire mesh screen (1-man open cab)
Driver's left side wire mesh door and side wall (open cab)
Steel escape hatch for open or closed cab (adds FOPS certification)
Cab mounted front brush guard for 1-man closed cab
1 Man Closed Cab ROPS certified includes: Aluminum escape hatch Sliding left & right side window Cab heater & circulation fan Front windshield on/off wiper & windshield washer Door with dual locking system
Cab mount front brush guard for 2-man cab (open or closed)
Two Man Open Cab ROPS certified includes: 2 vinyl mechanical suspension seats with slider with 2 point seat belts, 1 rearview mirror
Two Man Closed Cab ROPS certified includes: Aluminum escape hatch, 2 vinyl mechanical suspension seats with slider with 2 point seat belts Sliding left & right side window, cab heater & circulation fan, Front windshield on/off wiper & windshield washer, door with dual locking system 1 rearview mirror
Front windshield intermittent wiper (closed cab)
Steering wheel system (mechanical steering with foot pedals for forward and reverse)
Sun visor
Driver's 3 point seat belt
Premium cab sound and heat Insulation
Street side and / or curb side rear view mirror
Street side rear view mirror with electric heating
Back up camera with heated lens and 7" in-cab waterproof display
DC Comfort air conditioning 6,000 Btu/hr, 12v for 1-man cab
Air conditioning 12,000 Btu/hr, 12v for 2-man cab
Cab front windshield spray system

Lighting Options

GoLight Stryker spotlight on top of cab with guarding & in cab remote control
2x 120 watts LED light bars for 1 man cab (behind the cab, swiveling, one fixed over the engine cover)

Engine & Cold Weather Options

Spark arrestor
120v hydraulic oil tank heater
120v battery charger
Synthetic engine & ISO 22 hydraulic oil
12v engine coolant heater, 17,000 Btu with 7 day programmable timer
Winter bridge & engine cover
Extreme cold package for operations to -40 deg F/-40 deg C External Power Available includes: 120v battery blanket heaters, insulated battery box, glycol coolant, synthetic engine & hydraulic oil
Extreme cold package for operations to -40 deg F/-40 deg C No external Power Available includes: 12v engine coolant heater, coolant battery heater, insulated battery box, glycol coolant, synthetic engine & hydraulic oil
120v battery heater(s)



UTV INTERNATIONAL



KODIAK K6 TFFV CRAWLER CARRIER OPTIONS & ACCESSORIES Cont'd

Engine & Cold Weather Options continued

1,800 watt gas powered portable generator / inverter with on deck storage
Optional Engine: JCB Power Systems Ecomax 448 TA4 Tier 4, 4 cylinder diesel, 4.8L displacement, 173 HP horsepower at 2,050 RPM, 492 ft/lbs torque at 1,500 RPM

Vehicle Options / Features

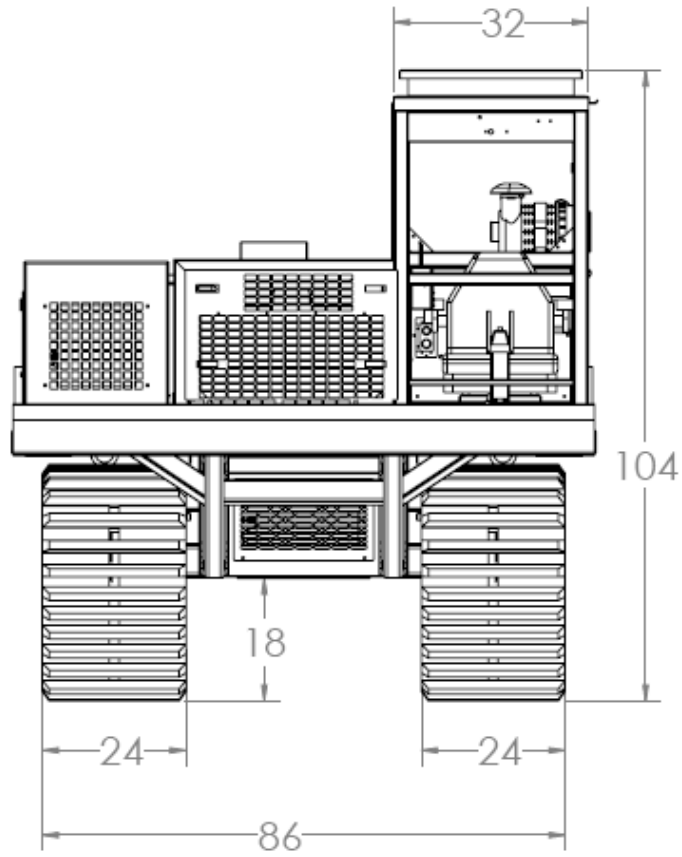
Flatbed deck 96"L x 96"W
FireBozz Mini Portable Water Cannon
Rear auxilliary 2-way low flow hydraulics, 0-24 GPM, 2,500 psi
Rear auxilliary 2-way low flow hydraulics, 25 GPM, 3,000 psi
Pintle hook with rear receptacle
Maintenance kit (high performance filter set for first 100 hour maintenance return & supercharge filters)
Additional set of operations, parts & service manuals

Additional Options

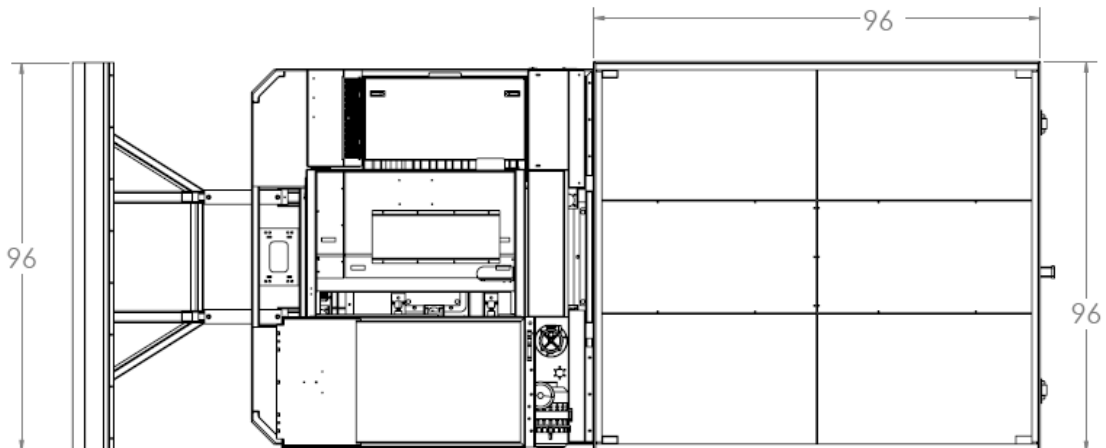
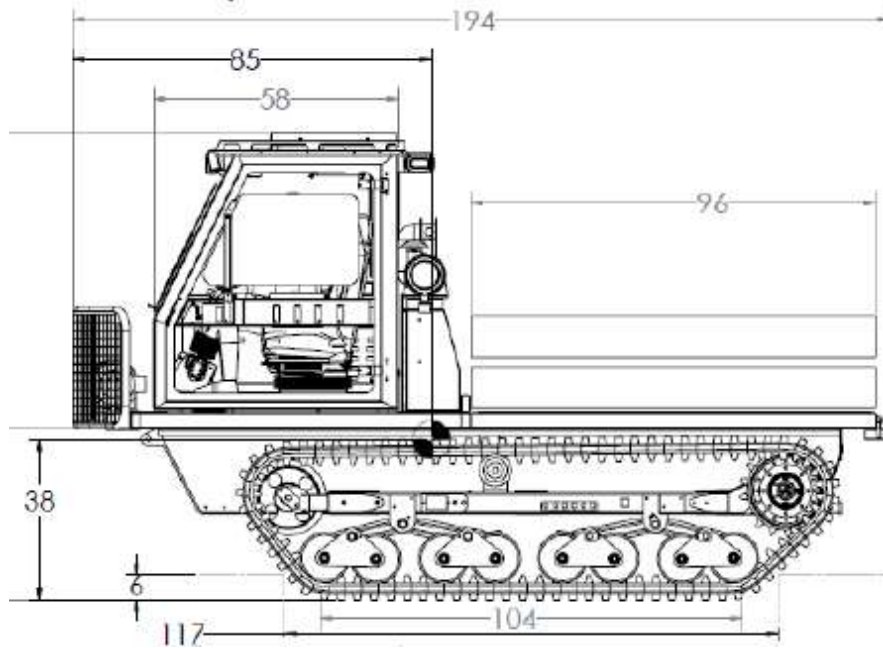
Extra set one piece 24" rubber tracks with steel reinforcements (shipped loose)
One day on site Kodiak K6 operations and maintenance training
One day on site fire package skid system training
One day on site GFS Terra Torch training
Recommended spare parts for remote operations
Other options available upon request



KODIAK K6 TFFV CRAWLER CARRIER DIMENSIONS



KODIAK K6 TFFV CRAWLER CARRIER DIMENSIONS



UTV INTERNATIONAL

KODIAK K6 TFFV CRAWLER CARRIER



UTV INTERNATIONAL

KODIAK K6 TFFV CRAWLER CARRIER

