



UTV INTERNATIONAL

Pioneer 1200 PC Personnel Carrier

Specifications



<p><u>DIMENSIONS / WEIGHT</u></p> <p>Overall Length 135" without plow (2-man cab) 150" without plow (4-man cab) 177" with plow (2-man cab) 183" with plow (4-man cab)</p> <p>Overall Width 99" with 28" or 29" track 101" with 36" track</p> <p>Overall Height 101"</p> <p>Ground Clearance 14"</p> <p>Vehicle Weight 8,500 lbs basic vehicle</p> <p>Payload 1,600 lbs load capacity</p> <p>Rear Deck 96"W x 44"D (2-Man Cab) 95"W x 28"D (4-Man Cab)</p> <p><u>PERFORMANCE</u></p> <p>Maximum Speed 16 mph</p> <p>Turning Radius 0 ft</p> <p>Climbing Ability 100% (45°) vertical 75% (37°) side hill</p> <p>Ground Pressure 1.05 PSI with 36" tracks (unloaded) 1.36 PSI with 28" tracks</p> <p>Nominal Range 10 hours</p> <p><u>ENGINE</u></p> <p>Make Deutz</p> <p>Model TCD 3.6 L4, 4 cylinder</p> <p>Horsepower 134 HP at 2,300 RPM</p> <p>Torque 369 ft lbs at 1,600 RPM</p> <p>Displacement 3.62 liters</p> <p>Fuel capacity 40 gals</p> <p>DEF Tank 2.6 gals</p> <p><u>FRAME / SUSPENSION</u></p> <p>Type Corten welded tub</p> <p>Trailing Arms Rubber mounted torsion bars</p> <p>Wheels Solid rubber wheels</p>	<p><u>TRACKS</u></p> <p>Standard Tracks 4-ply rubber belts with crosslinks</p> <p>Track Options 28" winter track - symmetric 34" winter - asymmetric 33" D-Dent 29" high profile all season rubber tracks 33" high profile all season rubber tracks</p> <p><u>STEERING</u></p> <p>Independent dual joysticks with cable control for each track</p> <p><u>ELECTRICAL</u></p> <p>Voltage 12v</p> <p>Batteries 2x 1,060 CCA</p> <p>Alternator 120 amps</p> <p>Ground Negative</p> <p><u>POWER TRAIN</u></p> <p>Transmission 2 speed hydrostatic drive</p> <p>Drive Sprockets Rubber on steel hub</p> <p>Parking Brakes Multi-Disc, spring applied & pressure released</p> <p>Service Brakes Positive deceleration through the hydrostatic transmission</p> <p><u>STANDARD FEATURES</u></p> <p>Large windows for all-around visibility</p> <p>High powered LED lights (2) front & (2) rear</p> <p>Windshield wiper & washer</p> <p>Inside rear-view mirror</p> <p>Full instrumentation</p> <p>2 seats with 2-point seat belts</p> <p>Heater-defroster</p> <p>Back-up alarm & horn, fire extinguisher</p> <p>120v block heater, glow plugs, 12v heated fuel filter,</p> <p>Secondary fuel filter with water separator</p> <p>Muffler, electric engine shut down system</p> <p>Hydraulic cab tilt for easy engine access</p> <p>Front & rear receiver sockets</p> <p>1 Set of parts & service manuals</p>
---	---

Specifications subject to change without notice

Pioneer 1200 PC Optional Equipment & Accessories

Front Options

Front 2 way plow (light brush clearing blade)
Front straight plow 7 ft 2-way
Front straight plow 7 ft 4-way
Front straight plow 7 ft 6-way
Front straight plow 8 ft 6-way
Change front straight plow to U blade Option
10,000 lbs front mount electric winch with remote control
12,000 lbs front mount electric winch with remote control



UTV INTERNATIONAL



Pioneer 1200 PC Optional Equipment & Accessories continued Cab Options

Front-mounted brush guard
4-man cab
2x front windshield intermittent wipers
Sun visor (each)
Steering wheel
(1) seat with mechanical suspension (driver side)
(1) seat with mechanical suspension (passenger side)
Retractable 2-point seatbelt (each)
Circulation fan
Cigarette lighter/power point (each)
Inclinometer
Premium cab heat Insulation
Sun roof & escape hatch (each)
Sliding window passenger side door
Rear sliding window (each)
Rear wiper (each)
Exterior mirror (each)
Heated mirror (each)
Air conditioning 19,000 BTU/hr

Engine & Cold Weather Options

Spark arrestor
Air shutdown switch
120v hydraulic oil tank heater
120v battery charger
12v engine coolant heater, 17,200 BTU with 7 day timer
Winter bridge & engine cover
Synthetic engine & ISO 22 hydraulic oil
Extreme cold package for operations to -40 deg F/-40 deg C External Power Available includes: 120v battery blanket heaters, insulated battery box, glycol coolant, synthetic engine & hydraulic oil
Extreme cold package for operations to -40 deg F/-40 deg C No External Power Available includes: 12v engine coolant heater, coolant battery heater, insulated battery box, glycol coolant, synthetic engine & hydraulic oil
2x 120v battery heaters
1,800 watt gas powered portable generator / inverter with on deck storage

Track Options

Replace 28" winter with 36" winter tracks
Ice caulkes for winter tracks (10 on each side)
Replace 28" winter with 33" D-Dent tracks
Replace 28" winter with 29" all season high profile rubber tracks
Replace 28" winter with 33" all season high profile rubber tracks
Ice claws for rubber tracks (12 each side)
Extra set 29" all season high profile rubber tracks

Miscellaneous Options

Dust cap retainers (all six road wheels)
Rear deck 44"L x 96"W, 16" sidewall for 2-man cab
Rear deck 28"L x 95"W, 16" sidewall for 4-man Cab

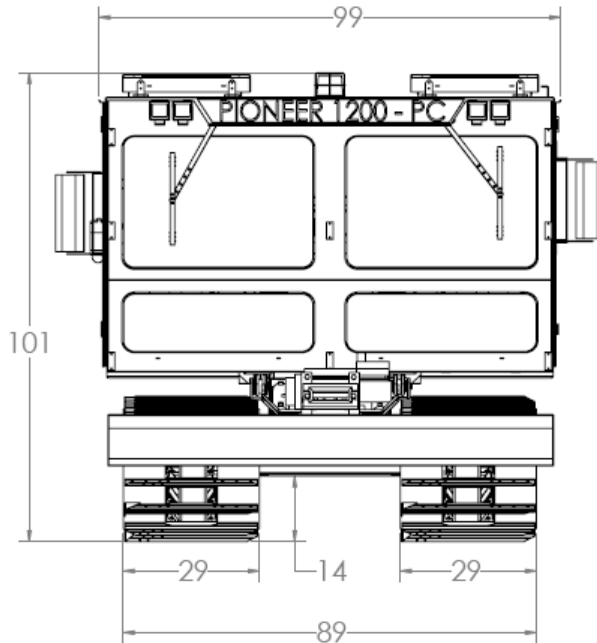
Pioneer 1200 PC Optional Equipment & Accessories continued

Miscellaneous Options continued

Rear 2-way low flow hydraulics
Pintle hook with rear receptacle
Maintenance kit (high performance filter set for first 100 hour maintenance: return & supercharge filters)
Additional set of manuals
On site training
Recommended spare parts for remote operations

Other options available upon request

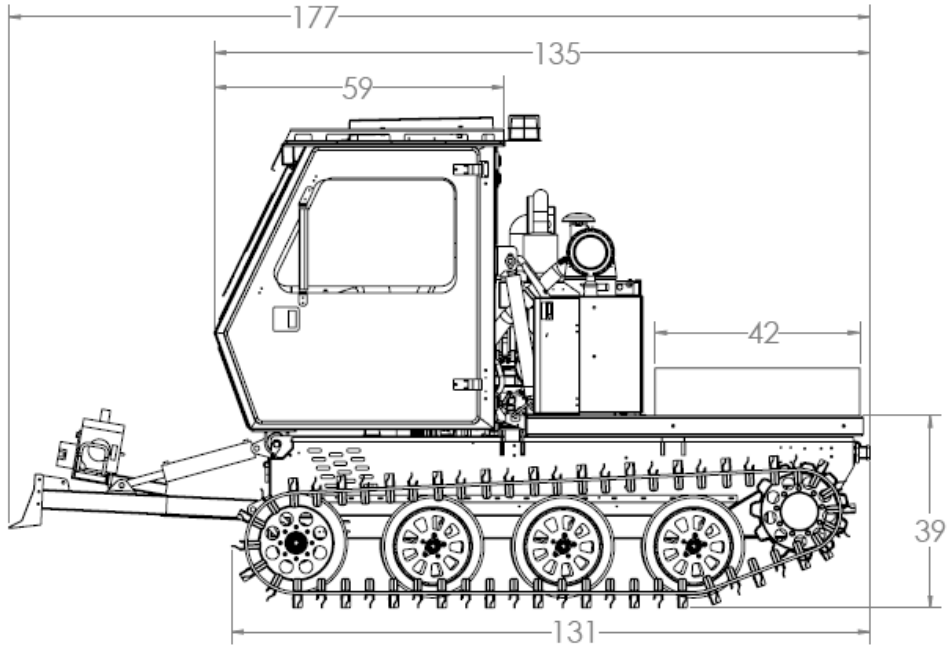
Pioneer 1200 PC Personnel Carrier 2-man Cab Dimensions



UTV INTERNATIONAL

Pioneer 1200 PC Personnel Carrier

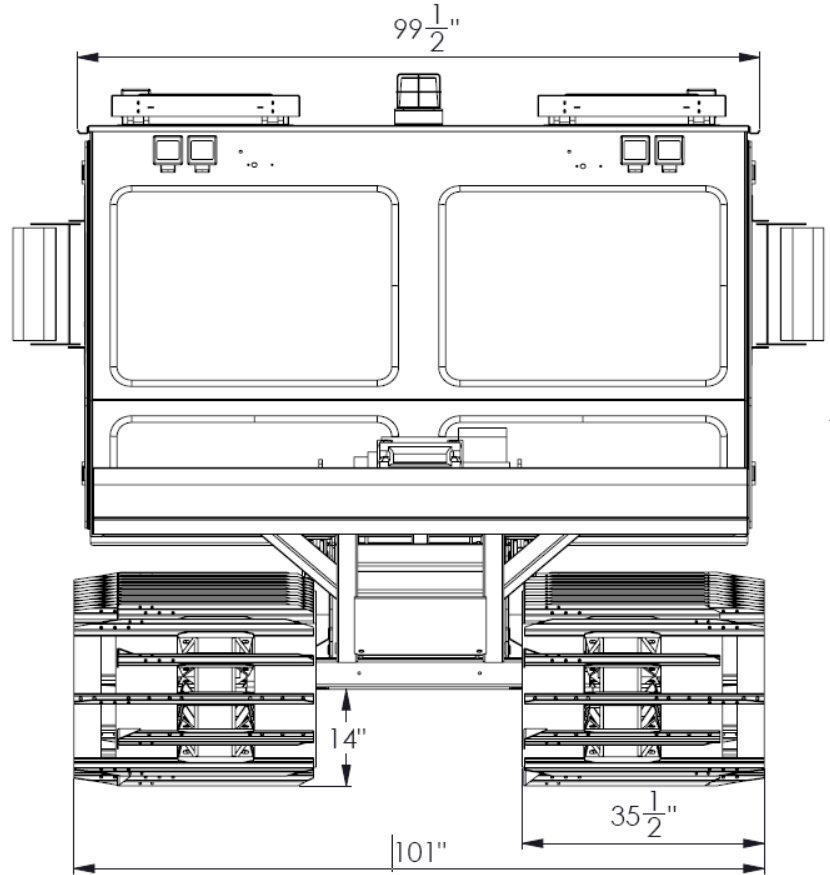
2-man Cab Dimensions



UTV INTERNATIONAL

Pioneer 1200 PC Personnel Carrier

4-man Cab Dimensions



UTV INTERNATIONAL

Pioneer 1200 PC Personnel Carrier

4-man Cab Dimensions

