



# UTV INTERNATIONAL

## Pioneer 1200 PC Personnel Carrier

### Specifications



|  |  |
|--|--|
| <p><b><u>DIMENSIONS / WEIGHT</u></b></p> <p>Overall Length      135" without plow (2-man cab)<br/>                                      150" without plow (4-man cab)<br/>                                      177" with plow (2-man cab)<br/>                                      183" with plow (4-man cab)</p> <p>Overall Width        99" with 28" or 29" track<br/>                                      101" with 36" track</p> <p>Overall Height        101"</p> <p>Ground Clearance    14"</p> <p>Vehicle Weight       8,500 lbs basic vehicle</p> <p>Payload                1,600 lbs load capacity</p> <p>Rear Deck              96"W x 44"D (2-Man Cab)<br/>                                      95"W x 28"D (4-Man Cab)</p> <p><b><u>PERFORMANCE</u></b></p> <p>Maximum Speed       16 mph</p> <p>Turning Radius        0 ft</p> <p>Climbing Ability       100% (45°) vertical<br/>                                      75% (37°) side hill</p> <p>Ground Pressure      1.05 PSI with 36" tracks<br/>           (unloaded)            1.36 PSI with 28" tracks</p> <p>Nominal Range        10 hours</p> <p><b><u>ENGINE</u></b></p> <p>Make                    Deutz</p> <p>Model                   TCD 3.6 L4, 4 cylinder</p> <p>Horsepower            134 HP at 2,300 RPM</p> <p>Torque                  369 ft lbs at 1,600 RPM</p> <p>Displacement         3.62 liters</p> <p>Fuel capacity          40 gals</p> <p>DEF Tank              2.6 gals</p> <p><b><u>FRAME / SUSPENSION</u></b></p> <p>Type                    Corten welded tub</p> <p>Trailing Arms         Rubber mounted torsion bars</p> <p>Wheels                 Solid rubber wheels</p> | <p><b><u>TRACKS</u></b></p> <p>Standard Tracks      4-ply rubber belts with crosslinks</p> <p>Track Options        28" winter track - symmetric<br/>                                      34" winter - asymmetric<br/>                                      33" D-Dent<br/>                                      29" high profile all season<br/>                                      rubber tracks<br/>                                      33" high profile all season<br/>                                      rubber tracks</p> <p><b><u>STEERING</u></b></p> <p>Independent dual joysticks with<br/>                                      cable control for each track</p> <p><b><u>ELECTRICAL</u></b></p> <p>Voltage                12v</p> <p>Batteries              2x 1,060 CCA</p> <p>Alternator            120 amps</p> <p>Ground                Negative</p> <p><b><u>POWER TRAIN</u></b></p> <p>Transmission         2 speed hydrostatic drive</p> <p>Drive Sprockets      Rubber on steel hub</p> <p>Parking Brakes       Multi-Disc, spring applied &amp;<br/>                                      pressure released</p> <p>Service Brakes        Positive deceleration through<br/>                                      the hydrostatic transmission</p> <p><b><u>STANDARD FEATURES</u></b></p> <p>Large windows for all-around visibility</p> <p>High powered LED lights (2) front &amp; (2) rear</p> <p>Windshield wiper &amp; washer</p> <p>Inside rear-view mirror</p> <p>Full instrumentation</p> <p>2 seats with 2-point seat belts</p> <p>Heater-defroster</p> <p>Back-up alarm &amp; horn, fire extinguisher</p> <p>120v block heater, glow plugs, 12v heated fuel filter,</p> <p>Secondary fuel filter with water separator</p> <p>Muffler, electric engine shut down system</p> <p>Hydraulic cab tilt for easy engine access</p> <p>Oil Cooler for Hyd Oil Reservoir</p> <p>Front &amp; rear receiver sockets</p> <p>1 Set of parts &amp; service manuals</p> |
|--|--|

Specifications subject to change without notice

### Pioneer 1200 PC Optional Equipment & Accessories

#### Front Options

|   |
|---|
| Front 2 way plow (light brush clearing blade)             |
| Front straight plow 7 ft 2-way                            |
| Front straight plow 7 ft 4-way                            |
| Front straight plow 7 ft 6-way                            |
| Front straight plow 8 ft 6-way                            |
| Change front straight plow to U blade Option              |
| 16,500 lbs front mount electric winch with remote control |



# UTV INTERNATIONAL



## Pioneer 1200 PC Optional Equipment & Accessories continued Cab Options

|  |
|--|
| Front-mounted brush guard                            |
| 4-man cab  |
| 2x front windshield intermittent wipers              |
| Sun visor (each)                                     |
| Steering wheel                                       |
| (1) seat with mechanical suspension (driver side)    |
| (1) seat with mechanical suspension (passenger side) |
| Retractable 2-point seatbelt (each)                  |
| Circulation fan                                      |
| Cigarette lighter/power point (each)                 |
| Inclinometer   |
| Premium cab heat Insulation                          |
| Sun roof & escape hatch (each)                       |
| Sliding window passenger side door                   |
| Rear sliding window (each)                           |
| Rear wiper (each)                                    |
| Exterior mirror (each)                               |
| Heated mirror (each)                                 |
| Air conditioning 12,000 Btu/hr                       |

### Engine & Cold Weather Options

|   |
|---|
| Spark arrestor  |
| 12v engine coolant heater, 17,200 BTU with 7 day timer                    |
| 120v hydraulic oil tank heater  |
| 120v battery charger  |
| Synthetic engine oil  |
| Insulated battery box   |
| Coolant battery heater  |
| 2x 120v battery heaters   |
| Glycol coolant  |
| Synthetic hydraulic oil   |
| 1,800 watt gas powered portable generator / inverter with on deck storage |

### Track Options

|  |
|--|
| <b>Replace 28" winter with 36" winter tracks</b>                         |
| Ice caulkes for winter tracks (10 on each side)                          |
| <b>Replace 28" winter with 33" D-Dent tracks</b>                         |
| <b>Replace 28" winter with 29" all season high profile rubber tracks</b> |
| <b>Replace 28" winter with 33" all season high profile rubber tracks</b> |
| Ice claws for rubber tracks (12 each side)                               |
| Extra set 29" all season high profile rubber tracks                      |

### Miscellaneous Options

|   |
|---|
| Dust cap retainers (all six road wheels)          |
| Rear deck 44"L x 96"W, 16" sidewall for 2-man cab |
| Rear deck 28"L x 95"W, 16" sidewall for 4-man Cab |

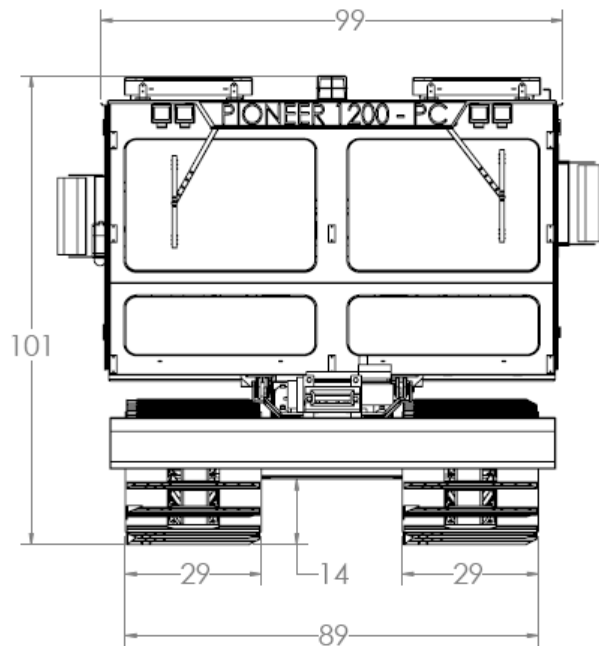
## Pioneer 1200 PC Optional Equipment & Accessories continued

### Miscellaneous Options continued

|  |
|--|
| Rear 2-way low flow hydraulics   |
| Pintle hook with rear receptacle   |
| Maintenance kit (high performance filter set for first 100 hour maintenance: return & supercharge filters) |
| Additional set of manuals  |
| On site training   |
| Recommended spare parts for remote operations  |

Other options available upon request

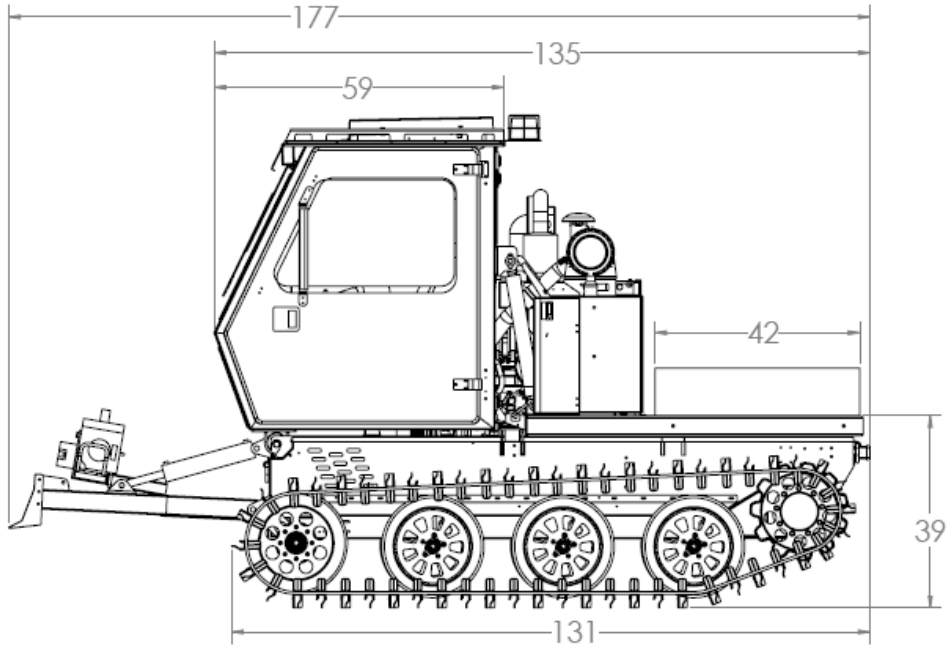
### Pioneer 1200 PC Personnel Carrier 2-man Cab Dimensions



# UTV INTERNATIONAL

## Pioneer 1200 PC Personnel Carrier

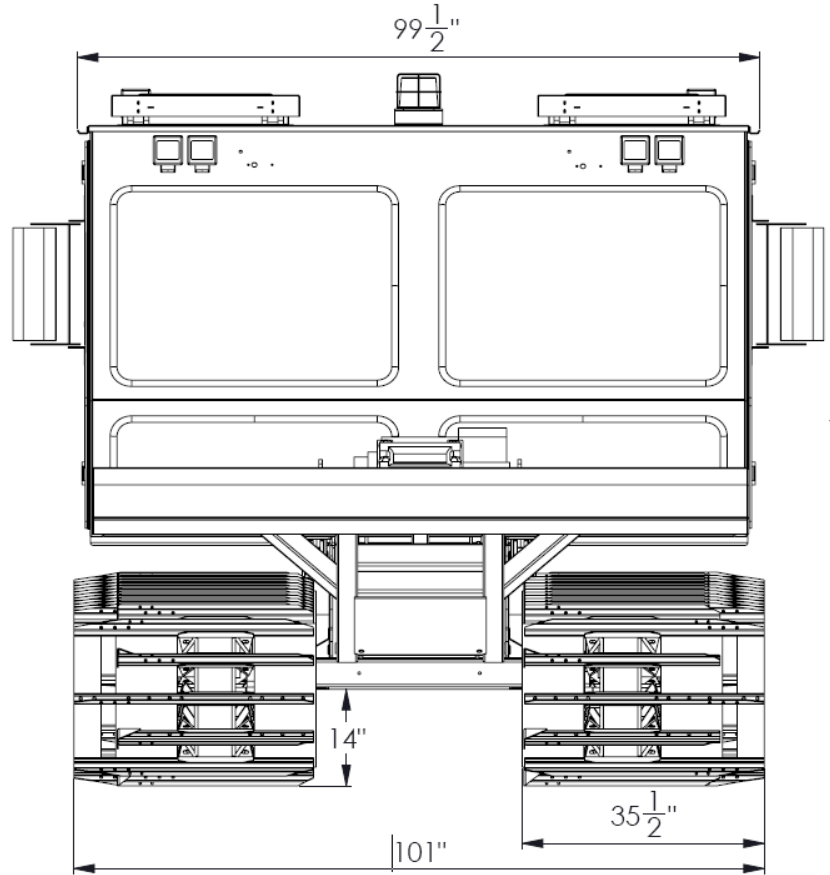
### 2-man Cab Dimensions



# UTV INTERNATIONAL

## Pioneer 1200 PC Personnel Carrier

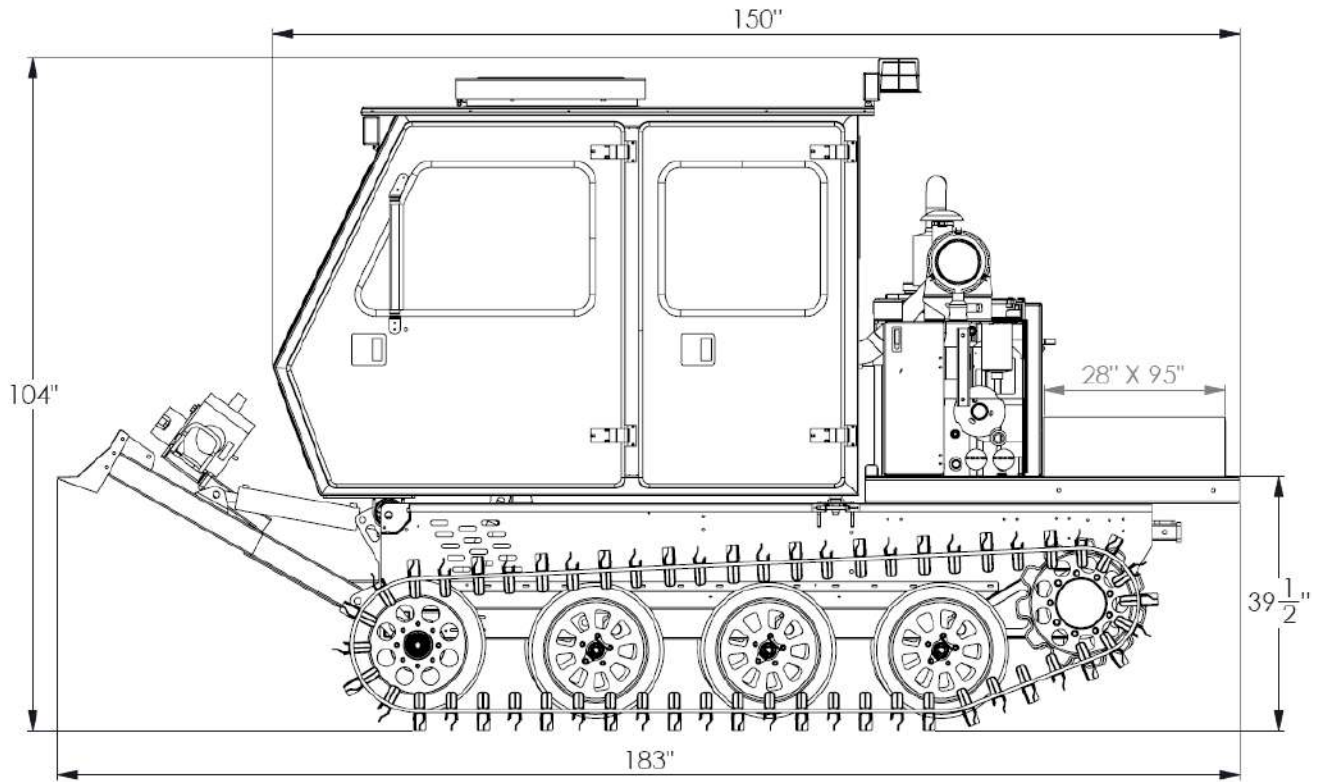
### 4-man Cab Dimensions



# UTV INTERNATIONAL

## Pioneer 1200 PC Personnel Carrier

### 4-man Cab Dimensions





**Cab Tilt for Easy Engine Access**



**Pioneer 1200 PC Dashboard**



**Air Suspension Seat**



**36" Asymmetrical Winter Tracks**



**Rear Deck for 2 Man Cab**



**Rear Deck for 4 Man Cab**